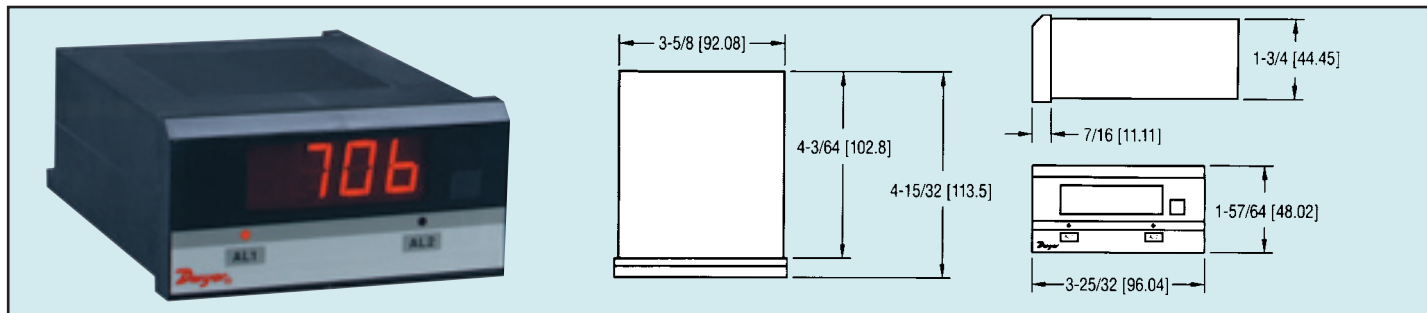




Model  
PM706

# Temperature Panel Meter

Dual Alarm, Relay and Analog Output.



**Model PM706 Digital Temperature Meter** monitors and displays temperature measurements using a Type K thermocouple input. Meter features dual adjustable set points with 1A relays and a selectable 4-20 mA or 0-10 VDC output signal. View alarm settings by depressing the tactile alarm button on the front panel. The bright red LED display has a floating decimal point and displays temperature in °F or °C. Meter is equipped with overrange indication to alert operator of an open thermocouple or faulty connections. Sealed front panel is rated to NEMA 12 to protect against dust and fluids.

## SPECIFICATIONS

**Temperature Range:** -148 to 1999°F (-100 to 1200°C).  
**Input:** Type K thermocouple.  
**Output:** Dual alarm rated 1A @ 250VAC, 4-20 mA with 8V max compliance or 0-10 VDC 1 kΩ min.  
**Power Requirements:** 115/230 VAC, ±10%, 50/60 Hz.  
**Power Consumption:** 7 W.  
**Accuracy:** ±2% at 23°C ambient.  
**Display:** 4-digit, red, 1/2" digits.  
**Resolution:** 1°F/°C.  
**Operating Temperature:** 32 to 122°F (0 to 50°C).  
**Ambient Temperature Effect:** +0.01% of rdg., -0.05° per degree.

**Temperature Coefficient:** ±100  
**Set Point Adjustment:** 0 to 2000 counts, adj. within 5 counts or better. ppm/°C.  
**Read Rate:** 2.5 readings/sec.  
**Weight:** 1 lb (500 g).  
**Front Panel Rating:** 1/8 DIN, NEMA 12.  
**Suggested Specifications:** Temperature meter shall have dual relay alarms and selectable 4-20 mA or 0-10 VDC analog output. Temperature shall be displayed in °F/°C (selectable). The housing shall be suitable for NEMA12 service. Meter shall be Dwyer Model No. PM706.

**STOCKED MODEL**  
**PM706** Digital Temperature Panel Meter.....

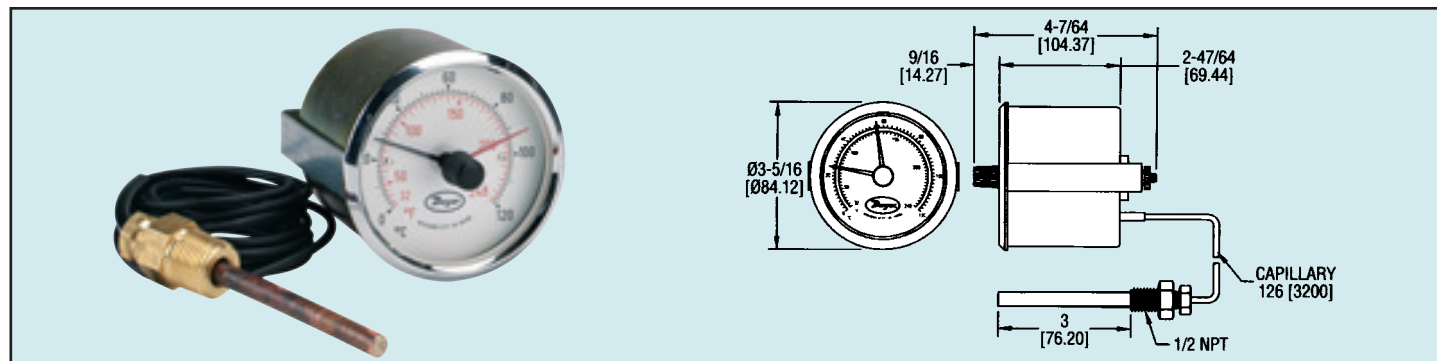
Temperature



Series  
RRT

# Remote Reading Thermometer with Switch

3/4" Dial, Liquid Actuated Bulb and Capillary Type



**Remotely monitor and control temperature** with this economical, reliable liquid actuated thermometer with integral 5 amp rated snap switch. The switch setpoint is fully adjustable across the entire temperature range. Dual scale reads in both °F and °C. Unit is housed in a corrosion protected, plated steel case with scratch resistant glass window. A bi-metallic element compensates for temperature effects on the capillary for maximum accuracy. Thermometer includes U-clamp bracket for fast, easy panel mounting. Mount bulb in any position at any height without affecting temperature reading.

## SPECIFICATIONS

**Wetted Materials:** Brass.  
**Accuracy:** ±2% of full scale.  
**Temperature Limits:** -4 to 158°F (-20 to 70°C).  
**Thermal Effect (Includes Span and Zero):** ±1.5% of span per 100°F (55.6°C) nominal.  
**Switch Type, Rating:** SPDT, 5A @ 250 VAC, non-inductive.  
**Electrical Connections:** (3) male quick connects.  
**Process Connection:** 1/2" male NPT.  
**Dial Size:** 3-1/4" (80 mm).  
**Capillary Length:** 10.5 ft (3.2 meters).  
**Bulb Length:** 3.0 in (76 mm).  
**Weight:** 1 lb, 4.4 oz.  
**Agency Approvals:** CE.

**STOCKED MODELS** in bold

Model Number	Range, °F	Range, °C
<b>RRT2120U</b>	-40 to 120	-40 to 50
<b>RRT2250U</b>	32 to 248	0 to 120
<b>RRT2300U</b>	0 to 300	-18 to 149

## Suggested Specifications

Remote reading thermometer shall be liquid actuated bulb and capillary type with dual scale and ±2% of full scale accuracy. Thermometer control mechanism shall be a 5A, SPDT snap action switch. Capillary shall be copper, 10% feet in length. Thermometer shall be Dwyer Model No. RRT2250U.