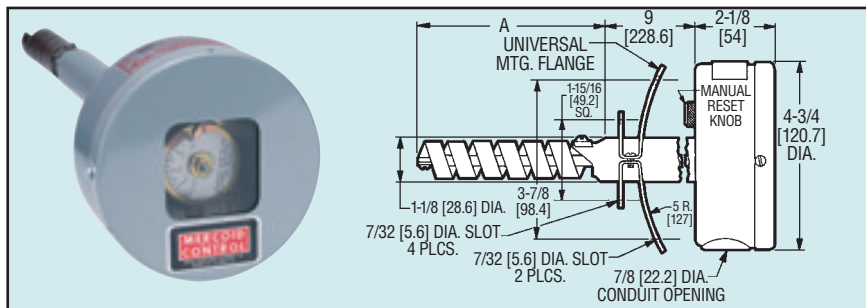




Series
M-51

Bi-Metal Air Temperature Switches

Double Adjustable, Heavy Duty, Automatic Reset



FEATURES

- UL listed, CSA Certified.
- Automatic or Manual reset.
- SPST mercury switch (SPDT switches available).
- Visible dial shows duct temperature.
- Two adjustments: one sets high temperature set point, the other sets low temperature reset.

SPECIFICATIONS

Service: Compatible gases.
Temperature Limit: Process: range maximum, Ambient: 180°F (82°C).
Enclosure Rating: General purpose.
Switch Type: SPST mercury switch. Optional SPDT.
Electrical Rating: 10A @ 120 VAC/DC, 5A @ 240 VAC/DC. 3/4 HP @ 120/240 VAC single phase, 1/3 HP @ 120/240 VDC.
Electrical Connections: Screw terminal.
Conduit Connection: 7/8" (22.23 mm) hole for 1/2" (12.7 mm) conduit hub.
Process Connection: Mounting flange. Reversible for flat or curved surfaces.
Mounting Orientation: Horizontal and level.
Set Point Adjustment: Internal moveable pointers for set point and reset point.
Weight: 5 lb (2.27 kg).
Deadband: Adjustable from minimum in model chart to full range.
Set Point Scale: Indication in °F standard. °C optional.
Options: SPDT and DPST switches. Switch that closes on temperature increase.
Agency Approvals: UL and CSA. FM only on models M-51R-74 and MX-51R-75.

Designed for use as a limit switch, fan control, or alarm switch, Model M-51 is used on all types of air conditioning ducts, furnaces, ovens, dryers, etc. Unit may also be used with damper control system to prevent spread of fire through ducts. Adjustments for both set and reset points. Visible dial shows duct temperature and switch set points.

STOCKED MODELS in bold

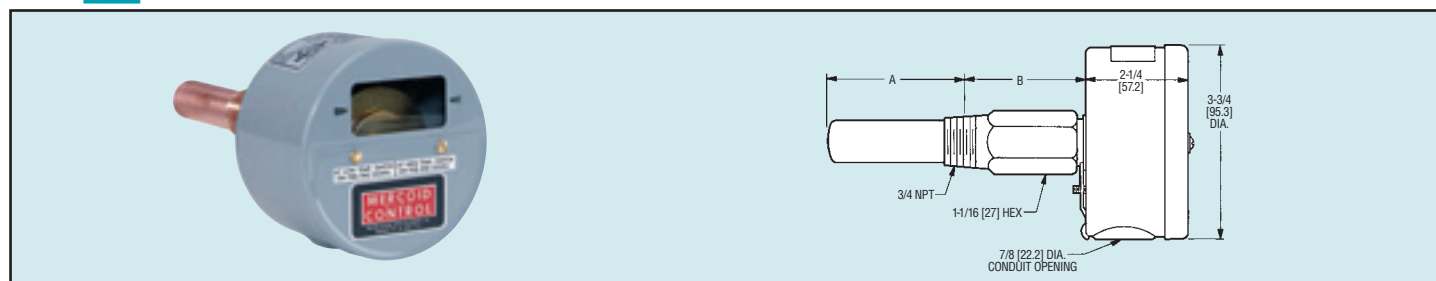
Model Number	Switch Action on Temp. Rise	Range °F (°C)	Minimum Deadband °F(°C)	Dim. A Insertion Length	Switch Reset
M-51-71	Opens	25 to 125 (-4 to 52)	12 (7)	5% (136)	Automatic
M-51R-71	Opens	25 to 125 (-4 to 52)	12 (7)	5% (136)	Manual
M-51-74	Opens	50 to 500 (10 to 260)	20 (11)	4% (111)	Automatic
M-51R-74	Opens	50 to 500 (10 to 260)	20 (11)	4% (111)	Manual
MX-51-75	Opens	50 to 650 (10 to 343)	20 (11)	4% (111)	Automatic
MX-51R-75	Opens	50 to 650 (10 to 343)	20 (11)	4% (111)	Manual



Series
FM

Immersion Temperature Control

Visible Setpoint Adjustment, Adjustable Deadband



Compact and low cost, Series FM-437 employs a bimetal element inside an immersion well. Instrument is detachable from the well, allowing maintenance without draining system. Visible calibrated dial reduces "start up" time and speeds set point changing. Contacts are hermetically sealed and mercury wetted. High current (up to 17A) capacity switches available on special order.

STOCKED MODELS in bold

Copper Well Model No.	304SS Well Model No.	Operating Temp. Range °F(°C)	Deadband °F(°C)		Well Dim. in.(mm)	
			Min	Max	A	B
FM-437-153-3515	FM-437SS-153-3515	40-200 (5-93)	15(8.4)	160(89)	2 5/8"(73)	2 3/8"(60)
FM-437-153-3516	FM-437SS-153-3516	40-200 (5-93)	15(8.4)	160(89)	4 1/2"(114)	3/4"(19)
FM-437-153-3510	FM-437SS-153-3510	80-240 (27-115)	15(8.4)	160(89)	2 5/8"(73)	2 3/8"(60)
FM-437-153-3511	FM-437SS-153-3511	80-240 (27-115)	15(8.4)	160(89)	4 1/2"(114)	3/4"(19)
FM-437-153-3528	FM-437SS-153-3528	160-300 (71-149)	18(10)	140(78)	2 5/8"(73)	2 3/8"(60)
FM-437-153-3529	FM-437SS-153-3529	160-300 (71-149)	18(10)	140(78)	4 1/2"(114)	3/4"(19)

SPECIFICATIONS

Service: Compatible liquids or gases.
Wetted Materials: Well: Copper or 304 SS.
Temperature Limit: Process: 375° F (190°C), Ambient: 180°F (82°C).
Pressure Limit: Copper well: 200 psi (13.8 bar) @ 300°F (149°C), 304 SS well: 900 psi (62 bar) @ 300°F (149°C).
Enclosure Rating: General purpose.
Switch Type: SPDT mercury switch. Optional SPST.
Electrical Rating: 4A @ 120 VAC/DC, 2A @ 240 VAC/DC. 1/8 HP @ 120/240 VAC single phase.
Electrical Connections: Screw terminal.

Conduit Connection: 7/8" (22.23 mm) hole for 1/2" (12.7 mm) conduit hub.
Process Connection: 3/4" NPT male.
Mounting Orientation: Horizontal and level.
Set Point Adjustment: Internal moveable pointers for set point and reset point.
Weight: 2 lb (0.9 kg).
Deadband: Adjustable, see model chart.
Options: SPST mercury switches with higher current ratings.
Set Point Scale: Indication in °F standard. °C optional.
Agency Approvals: UL, FM and CSA.

FM-437 Models (with copper well)
FM-437SS Models (with 304 stainless steel well)

Temperature