



Pressure Gauges

QUALITY
ISO-9001
ASSURANCE

**American
Block**
MANUFACTURING CO.

Progress Through Innovation



PRESSURE GAUGES AND INSTRUMENTS

UTILITY GAUGES 100 SERIES Dry Type

100 Bottom Mount ABS Case

- An inexpensive utility gauge for the broad commercial and industrial markets.
- Suitable for air, water, oil, gas or any other media not corrosive to brass.
- Other connection locations, mounting styles and accessories available.
- Ready for immediate shipment upon request.

SPECIFICATIONS:

AVAILABLE DIAL SIZES:

1 1/2", 2", 2 1/2", 3 1/2", 4 1/2"

AVAILABLE CONNECTION SIZES:

1/8" NPT on 1 1/2" and 2" Dial Sizes
1/4" NPT on 2" Thru 4 1/2" Dial Sizes

GENERAL SPECIFICATIONS:

101, 102, 103, 104 are black steel case with chrome bezel brass socket and movement phosphor bronze bourdon tube.
Dry Non-Fillable, 3-2-3 % Accuracy

AMBIENT TEMPERATURE:

-50° to 160°F

DIAL SCALE:

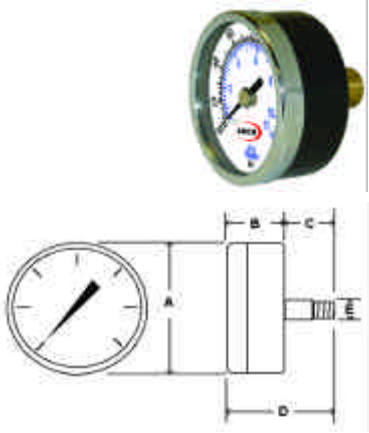
DUAL SCALE: PSI & BAR (x100=kPa) *STANDARD*

SINGLE SCALE: *PSI ONLY AVAILABLE*
kPa ONLY AVAILABLE

OTHER: *BY SPECIAL REQUEST*

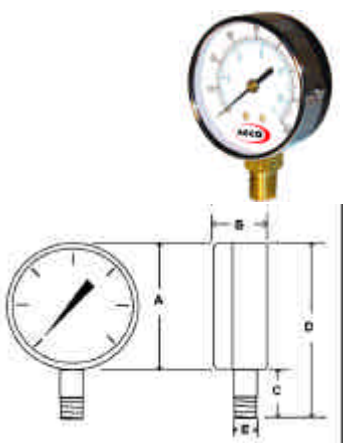


RANGE	Major Inc.	Minor Inc.
30/0"VAC	5" hg	.5" hg
30/0/15	10"hg / 5 psi	1"hg / .5 psi
30/0/30	10"hg / 10 psi	1"hg / 1 psi
30/0/60	10"hg / 10 psi	2"hg / 1 psi
30/0/100	30"hg / 20 psi	5"hg / 2 psi
30/0/150	30"hg / 20 psi	5"hg / 2 psi
30/0/300	30"hg / 50 psi	10"hg / 5 psi
0/15	2 psi	.2 psi
0/30	5 psi	.5 psi
0/60	10 psi	1 psi
0/100	20 psi	2 psi
0/160	20 psi	2 psi
0/200	40 psi	5 psi
0/300	50 psi	5 psi
0/400	50 psi	5 psi
0/600	100 psi	10 psi
0/1000	200 psi	20 psi
0/1500	00 psi	20 psi
0/2000	400 psi	50 psi
0/3000	500 psi	50 psi
0/5000	1000 psi	100 psi
0/6000	2000 psi	100 psi
0/10,000	2000 psi	200 psi



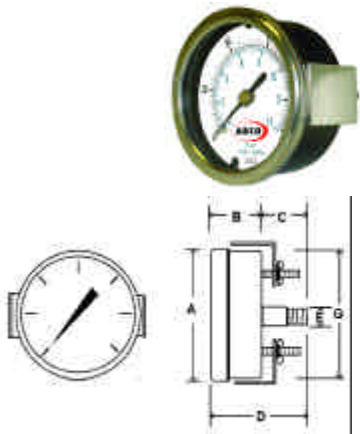
100/102 Back Mount (100 ABS Case) (102 Steel Case)

	1 1/2"	2"	2 1/2"	3 1/2"	4 1/2"
A	1.64"/42mm	2.07"/53mm	2.50"/63mm	3.53"/90mm	4.89"/124mm
B	.93"/24mm	1.03"/26mm	1.17"/30mm	1.14"/29mm	1.16"/29mm
C	.63"/16mm	.83"/21mm	.86"/22mm	1.02"/26mm	1.16"/30mm
D	2.27"/58mm	2.90"/74mm	3.36"/85mm	4.55"/116mm	6.05"/154mm
E	1/8npt	1/8 or 1/4npt	1/4npt	1/4npt	1/4npt



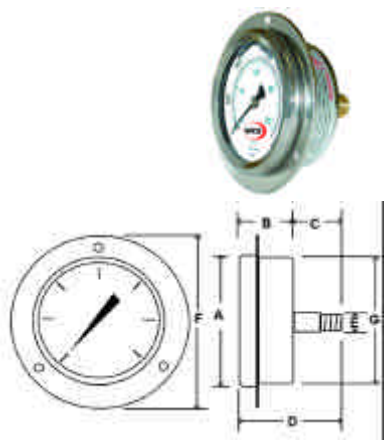
100/101 Bottom Mount (100 ABS Case) (101 Steel Case)

	1 1/2"	2"	2 1/2"	3 1/2"	4 1/2"
A	1.64"/42mm	2.07"/53mm	2.50"/63mm	3.53"/90mm	4.89"/124mm
B	.93"/24mm	1.03"/26mm	1.17"/30mm	1.14"/29mm	1.16"/29mm
C	.63"/16mm	.83"/21mm	.86"/22mm	1.02"/26mm	1.16"/30mm
D	2.27"/58mm	2.90"/74mm	3.36"/85mm	4.55"/116mm	6.05"/154mm
E	1/8npt	1/8 or 1/4npt	1/4npt	1/4npt	1/4npt



103 U-Clamp Panel Mount Steel Case

	1 1/2"	2"	2 1/2"	3 1/2"
A	1.72"/44mm	2.26"/58mm	2.66"/68mm	3.97"/100.86mm
B	.98"/25mm	1.11"/28mm	1.28"/33mm	1.19"/30.16mm
C	.63"/16mm	.83"/21mm	.97"/24mm	.83"/21.20mm
D	1.61"/41mm	1.94"/49mm	2.25"/57mm	2.02"/51.36mm
E	1/8npt	1/8 or 1/4npt	1/4npt	1/4npt
F				
G	1.60"/41mm	2.04"/52mm	2.46"/63mm	3.59"/91.33mm



104 Front Flanged Panel Mount Steel Case

	1 1/2"	2"	2 1/2"
A	1.72"/44mm	2.26"/58mm	2.66"/68mm
B	.98"/25mm	1.11"/28mm	1.28"/33mm
C	.63"/16mm	.83"/21mm	.97"/24mm
D	1.61"/41mm	1.94"/50mm	2.25"/57mm
E	1/8npt	1/8 or 1/4npt	1/4npt
F	2.47"/63mm	2.81"/71mm	3.44"/87mm
G	1.60"/41mm	2.04"/52mm	2.46"/63mm



PRESSURE GAUGES AND INSTRUMENTS

COMMERCIAL 200 SERIES

SS Case/Copper Alloy - Liquid Filled/Dry

Our '200' series gauge line is a high quality line of liquid filled gauges. The glycerine filling helps dampen the effects of pulsation and vibration, while also perpetually lubricating the movement (and keeping contaminants such as dirt away from all moving parts) which will extend the life of the gauge.

This gauge has been specifically designed with the original equipment manufacturers in mind and are typically used on hydraulic & pneumatic systems as well as any commercial or industrial application not corrosive to brass and bronze wetted parts where glycerine filling is suitable for use.

Other fill fluids available.



SPECIFICATIONS:

AVAILABLE DIAL SIZES:
1 1/2", 2", 2 1/2", 3 1/2", 4", 6"

AVAILABLE CONNECTION SIZES:
1/8" MNPT on 1 1/2" and 2"
1/4" MNPT on 2", 2 1/2" and 4"
1/2" MNPT on 4" and 6"

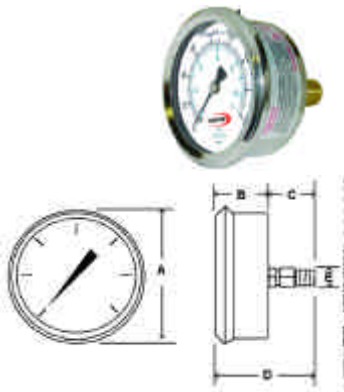
**STAINLESS STEEL CASE AND BEZEL
BRASS INTERNALS & CONNECTION
PHOSPHOR BRONZE BOURDON TUBE
LIQUID FILLED (DRY AVAILABLE)**

ACCURACY:
1 1/2" and 2" Dial = 2%
2 1/2" Dial Size = 1.5%
4" and 6" Dial Size = 1%

DUAL SCALE: PSI & BAR (X100=KPA)
Single Scale Available - PSI from Stock
- kPa from Stock

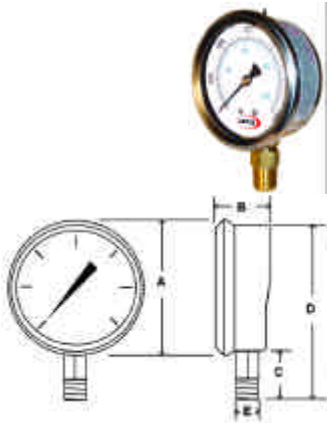
AMBIENT TEMPERATURE:
FILLED: 30°F to 160°F
DRY: -30°F to 180°F

RANGE	Major Inc.	Minor Inc.
30/0"VAC	5 hg	0.5 hg
30/0/15	5 psi	0.5 psi
30/0/30	10 psi	1 psi
30/0/60	10 psi	1 psi
30/0/100	20 psi	2 psi
30/0/150	20 psi	2 psi
30/0/300	50 psi	10 psi
0/15	2 psi	0.2 psi
0/30	5 psi	0.5 psi
0/60	10 psi	1 psi
0/100	20 psi	2 psi
0/160	20 psi	2 psi
0/200	40 psi	4 psi
0/300	50 psi	5 psi
0/400	50 psi	5 psi
0/500	100 psi	10 psi
0/600	100 psi	10 psi
0/800	100 psi	10 psi
0/1000	200 psi	20 psi
0/1500	200 psi	20 psi
0/2000	400 psi	50 psi
0/3000	500 psi	50 psi
0/4000	500 psi	50 psi
0/5000	1000 psi	100 psi
0/6000	2000 psi	200 psi
0/10,000	2000 psi	200 psi
0/15,000	2000 psi	200 psi



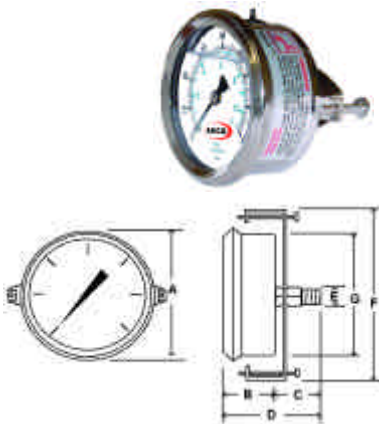
200/202 Back Mount

	1 1/2"	2"	2 1/2"	4"	6"
A	1.88"/48mm	2.24"/57mm	2.80"/71mm	4.32"/110mm	6.54"/166mm
B	1.06"/27mm	1.27"/32mm	1.28"/33mm	1.63"/42mm	1.70"/43mm
C	.89"/23mm	.71"/23mm	1.07"/27mm	1.25"/32mm	1.68"/43mm
D	2.77"/58mm	2.80"/71mm	3.55"/90mm	5.57"/141mm	8.22"/210mm
E	1/8npt	1/8 or 1/4npt	1/4mnpt	1/4 or 1/2npt	



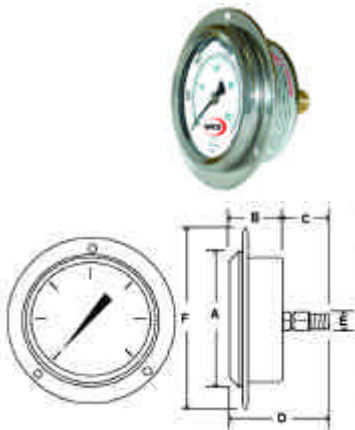
200/201 Bottom Mount

	1 1/2"	2"	2 1/2"	4"	6"
A	1.88"/48mm	2.24"/57mm	2.80"/71mm	4.32"/110mm	6.54"/166mm
B	1.06"/27mm	1.27"/32mm	1.28"/33mm	1.63"/42mm	1.70"/43mm
C	.89"/23mm	.71"/23mm	1.07"/27mm	1.25"/32mm	1.68"/43mm
D	2.77"/58mm	2.80"/71mm	3.55"/90mm	5.57"/141mm	8.22"/210mm
E	1/8npt	1/8 or 1/4npt	1/4mnpt	1/4 or 1/2npt	



203 U-Clamp Panel Mount

	1 1/2"	2"	2 1/2"	4"
A	1.88"/48mm	2.23"/57mm	2.80"/71mm	4.32"/110mm
B	1.06"/27mm	1.09"/28mm	1.28"/33mm	1.63"/42mm
C	.89"/23mm	.71"/23mm	1.19"/30mm	1.14"/29mm
D	1.95"/50mm	1.99"/51mm	2.46"/63mm	2.77"/71mm
E	1/8npt	1/8 or 1/4npt	1/4mnpt	
F	2.63"/67mm	3.00"/76mm	3.49"/89mm	5.30"/135mm
G	1.63"/42mm	2.00"/51mm	2.50"/64mm	3.87"/98mm



204 Front Flanged Panel Mount

	1 1/2"	2"	2 1/2"	4"	6"
A	1.88"/48mm	2.23"/57mm	2.80"/71mm	4.32"/110mm	6.54"/166mm
B	1.06"/27mm	1.09"/28mm	1.28"/33mm	1.63"/42mm	1.70"/43mm
C	.89"/23mm	.71"/23mm	1.18"/30mm	1.14"/29mm	1.68"/43mm
D	1.95"/50mm	1.99"/51mm	2.46"/63mm	2.77"/71mm	3.38"/86mm
E	1/8npt	1/8 or 1/4npt	1/4mnpt		
F	2.46"/63mm	2.81"/72mm	3.48"/88mm	5.20"/132mm	7.78"/198mm
G	1.63"/42mm	2.00"/51mm	2.50"/64mm	3.87"/98mm	6.02"/153mm



PRESSURE GAUGES AND INSTRUMENTS

COMMERCIAL 300 SERIES

All Stainless Steel Gauges

Our '300' Series Gauge Line is a high quality line of liquid filled gauges. The glycerine filling helps dampen the effects of pulsation and vibration, while also perpetually lubricating the movement (and keeping contaminants such as dirt away from all moving parts) which will extend the life of the gauge.

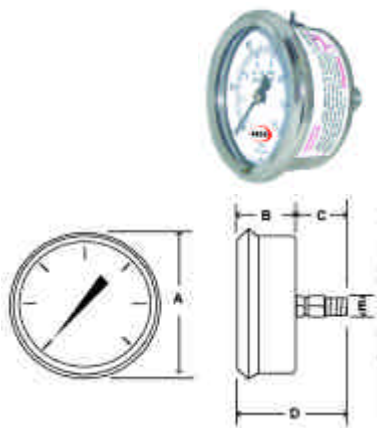
This gauge has been specifically designed with the original equipment manufacturers in mind and are typically used on hydraulic & pneumatic systems as well as any commercial or industrial application not corrosive to 316LSS wetted parts where glycerine filling is suitable for use. *Other fill fluids available.*



SPECIFICATIONS:

- **Available Dial Sizes:**
2 1/2" , 4" , 6"
- **Available Connection Sizes:**
1/4" MNPT on 2", 2 1/2" and 4"
1/2" MNPT on 4" and 6"
- **Stainless Steel Case And Bezel**
- **SS Internals**
- **316 SS Bourdon Tube & Connection**
- **Liquid Filled (Dry Available)**
- **Accuracy :**
2 1/2" Dial Size = 1.5%
4" and 6" Dial Size = 1%
- **Dual Scale: PSI & Bar (x100=kPa)**
Single Scale Available - PSI from stock
- kPa from stock
- **Ambient temperature:**
FILLED: 30°F to 160°F
DRY: -30°F to 180°F

RANGE	Major Inc.	Minor Inc.
30/0"VAC	5 hg	0.5 hg
30/0/15	5 psi	0.5 psi
30/0/30	10 psi	1 psi
30/0/60	10 psi	1 psi
30/0/100	20 psi	2 psi
30/0/150	20 psi	2 psi
30/0/300	50 psi	10 psi
0/15	2 psi	0.2 psi
0/30	5 psi	0.5 psi
0/60	10 psi	1 psi
0/100	20 psi	2 psi
0/160	20 psi	2 psi
0/200	40 psi	4 psi
0/300	50 psi	5 psi
0/400	50 psi	5 psi
0/500	100 psi	10 psi
0/600	100 psi	10 psi
0/800	100 psi	10 psi
0/1000	200 psi	20 psi
0/1500	200 psi	20 psi
0/2000	400 psi	50 psi
0/3000	500 psi	50 psi
0/4000	500 psi	50 psi
0/5000	1000 psi	100 psi
0/6000	2000 psi	200 psi
0/10,000	2000 psi	200 psi
0/15,000	2000 psi	200 psi



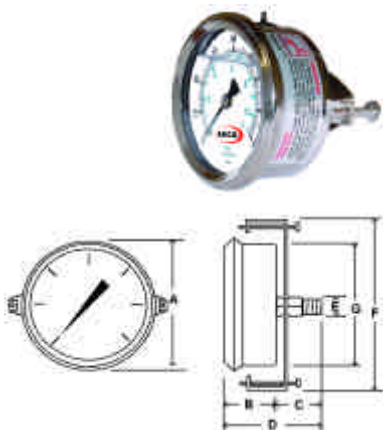
300/302 Back Mount

	1 1/2"	2"	2 1/2"	4"	6"
A	1.88"/48mm	2.24"/57mm	2.80"/71mm	4.32"/110mm	6.54"/166mm
B	1.06"/27mm	1.27"/32mm	1.28"/33mm	1.63"/42mm	1.70"/43mm
C	.89"/23mm	.71"/23mm	1.07"/27mm	1.25"/32mm	1.68"/43mm
D	2.77"/58mm	2.80"/71mm	3.55"/90mm	5.57"/141mm	8.22"/210mm
E	1/8npt	1/8 or 1/4npt	1/4mnpt	1/4 or 1/2npt	



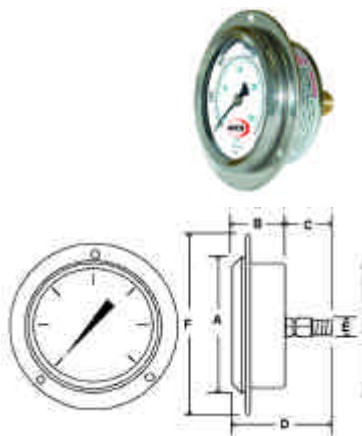
300/301 Bottom Mount

	1 1/2"	2"	2 1/2"	4"	6"
A	1.88"/48mm	2.24"/57mm	2.80"/71mm	4.32"/110mm	6.54"/166mm
B	1.06"/27mm	1.27"/32mm	1.28"/33mm	1.63"/42mm	1.70"/43mm
C	.89"/23mm	.71"/23mm	1.07"/27mm	1.25"/32mm	1.68"/43mm
D	2.77"/58mm	2.80"/71mm	3.55"/90mm	5.57"/141mm	8.22"/210mm
E	1/8npt	1/8 or 1/4npt	1/4mnpt	1/4 or 1/2npt	



303 U-Clamp Panel Mount

	1 1/2"	2"	2 1/2"	4"
A	1.88"/48mm	2.23"/57mm	2.80"/71mm	4.32"/110mm
B	1.06"/27mm	1.09"/28mm	1.28"/33mm	1.63"/42mm
C	.89"/23mm	.71"/23mm	1.19"/30mm	1.14"/29mm
D	1.95"/50mm	1.99"/51mm	2.46"/63mm	2.77"/71mm
E	1/8npt	1/8 or 1/4npt	1/4mnpt	
F	2.63"/67mm	3.00"/76mm	3.49"/89mm	5.30"/135mm
G	1.63"/42mm	2.00"/51mm	2.50"/64mm	3.87"/98mm



304 Front Flanged Panel Mount

	1 1/2"	2"	2 1/2"	4"	6"
A	1.88"/48mm	2.23"/57mm	2.80"/71mm	4.32"/110mm	6.54"/166mm
B	1.06"/27mm	1.09"/28mm	1.28"/33mm	1.63"/42mm	1.70"/43mm
C	.89"/23mm	.71"/23mm	1.18"/30mm	1.14"/29mm	1.68"/43mm
D	1.95"/50mm	1.99"/51mm	2.46"/63mm	2.77"/71mm	3.38"/86mm
E	1/8npt	1/8 or 1/4npt	1/4mnpt		
F	2.46"/63mm	2.81"/72mm	3.48"/88mm	5.20"/132mm	7.78"/198mm
G	1.63"/42mm	2.00"/51mm	2.50"/64mm	3.87"/98mm	6.02"/153mm



PRESSURE GAUGES AND INSTRUMENTS

PROCESS GAUGES 400 SERIES Fillable



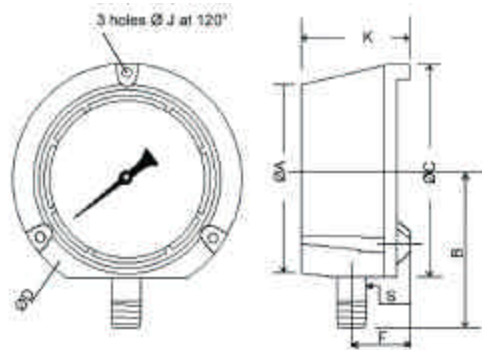
SPECIFICATIONS:

- DIAL:** 4 1/2" Diameter
- CASE:** Thermal Plastic—Solid Front/Blow-Out Back
- LENS:** Plastic with Gasket/Safety Glasses
- POINTER:** Knife Edge Micro-Adjustable
- BOURDON TUBE:** Bronze/316 Stainless Steel/Monel
- SOCKET MATERIAL:** Bronze / 316 SS / Monel
- MOVEMENT:** 304SS Heavy Duty Bushed
- ACCURACY:** 0.5% Full Scale (ANSI Grade 2A)

STANDARD FEATURES

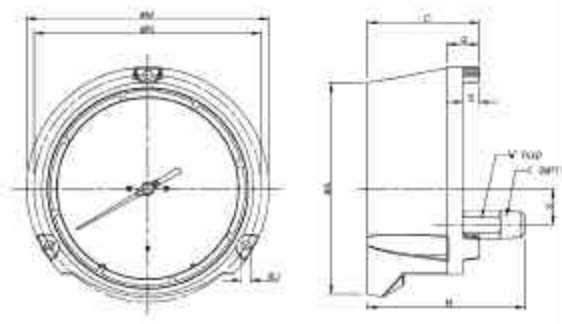
- Overload And Underload Stops
- Knife Blade Pointer For Precision Reading
- Hermetically Sealed/Weather Proof
- Liquid Fillable/No Kit Required

RANGE	Figures	Minor Inc.
30"-0 hg vac	5"	0.2"
30"-0-15	10" & 5 psi	1" & 0.5 psi
30"-0-30	10" & 5 psi	1" & 0.5 psi
30"-0-60	10" & 10 psi	2" & 1 psi
30"-0-100	10" & 20 psi	2" & 1 psi
30"-0-150	10" & 30 psi	5" & 2 psi
30"-0-200	10" & 50 psi	5" & 2 psi
30"-0-300	10" & 50 psi	10" & 5 psi
30"-0-600	10" & 100 psi	10" & 10 psi
0-15 psi	3 psi	0.2 psi
0-30 psi	5 psi	0.2 psi
0-60 psi	5 psi	0.5 psi
0-100 psi	10 psi	1 psi
0-160 psi	20 psi	1 psi
0-200 psi	20 psi	2 psi
0-300 psi	50 psi	2 psi
0-400 psi	50 psi	2 psi
0-600 psi	50 psi	5 psi
0-800 psi	100 psi	5 psi
0-1000 psi	100 psi	10 psi
0-1500 psi	250 psi	10 psi
0-2000 psi	200 psi	20 psi
0-3000 psi	500 psi	20 psi
0-5000 psi	1,000 psi	50 psi
0-10,000 psi	1,000 psi	100 psi
0-15,000 psi	2,500 psi	100 psi
0-20,000 psi	2,000 psi	200 psi



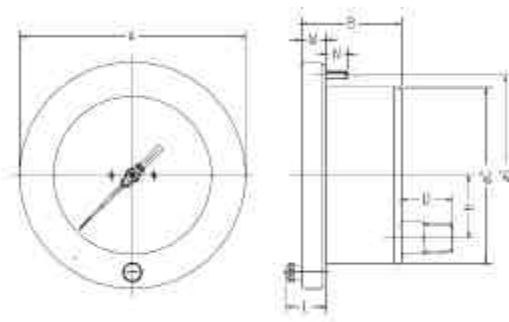
400 Bottom Mount

TYPE	WEIGHT	KEY	Ø	A	B	C	D	F	J	K	S
4.5"	2 lbs.	in	4.5	5"5/64	4"1/64	5"53/64	5"25/64	1"1/2	7/32	2"7/8	5/8
	(DRY)										
		mm	130	129	102	148	137	38	5.6	43	15.9



402 Back Mount

TYPE	WEIGHT	KEY	A	B	C	J	K	M	M	R	S	T	W
4.5"	2 lbs.	in	5	4.736	3.31	0.248	1.122	5.83	5.37	0.99	0.49	1/2"	0.87
	(DRY)												
		mm	128	120.3	84	6.3	28.5	148	136.5	25.1	12.5	--	22



404 Front Flanged Panel Mount

TYPE	WEIGHT	KEY	A*	B	C	D	H	L	M	N	T	S
4.5"	52.5 lbs.	in	6.09	2.70	4.73	1.37	1.63	1.08	0.67	0.75	--	5.38
		mm	154.7	68.6	120	35	41.4	27.4	17	19	--	137

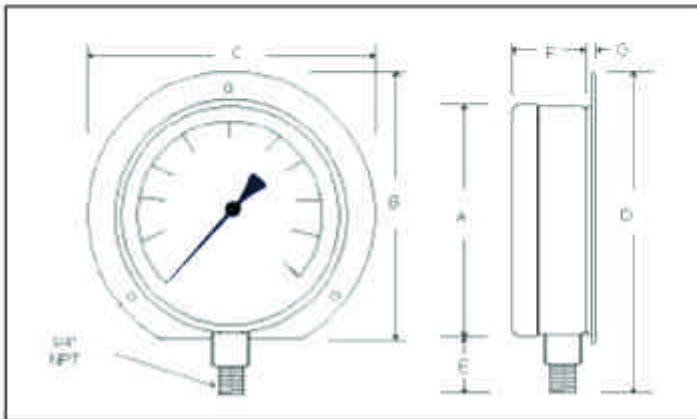


PRESSURE GAUGES AND INSTRUMENTS

INDUSTRIAL GAUGES 500 SERIES

115 Heavy Duty Back Flanged Gauge

These 4 1/2" & 6" gauges have been designed and built primarily for the Industrial Market. They are well suited for all applications where bronze tube and socket are suitable for use. Some typical applications are; AIR, WATER, GAS, OIL and STEAM* (* A pigtail / siphon should always be used when putting any gauge into steam service-see accessories).



	4 1/2" Dial Size In. MM		6" Dial Size In. MM	
A	4.99"	125	5.95"	151
B	5.41"	138	6.87"	175
C	5.87"	149	7.42"	188
D	6.79"	172	8.41"	213
E	1.40"	36	1.61"	41
F	1.86"	47	1.86"	47
G	.18"	4.5	.24"	6

STANDARD FEATURES

- Heavy Duty Black Steel Case (Epoxy Coated For Rust And Corrosion Resistance)
- Plastic Lens (To Resist Breakage)
- + / - 1% Full Scale Accuracy
- Large Easy To Read Numbers (On Single Scale Psi Only Dial)
- Removable Back Flange (For More Diversity From Stock)

PART NUMBER		RANGE	MAJOR	MINOR
4 1/2"	6"		Inc.	Inc.
115D-454A	115D-604A	30" HG VAC	5"hg	2"hg
115D-454CC	115D-604CC	30/0/30	5 psi	1 psi
115D-454CE	115D-604CE	30/0/100	10 psi	1 psi
115D-454CF	115D-604CF	30/0/160	25 psi	2.5 psi
115D-454B 1	15D-604B	0/15	2 psi	.2 psi
115D-454C	115D-604C	0/30	5 psi	1 psi
115D-454D	115D-604D	0/60	10 psi	1 psi
115D-454E	115D-604E	0/100	10 psi	1 psi
115D-454F	115D-604F	0/160	20 psi	2 psi
115D-454G	115D-604G	0/200	20 psi	2 psi
115D-454H	115D-604H	0/300	50 psi	5 psi
115D-454K	115D-604K	0/600	100 psi	10 psi

Note: All typical accessory type items such as Gauge Cocks, Pigtail/Siphons, Snubbers, Needle Valves or Diaphragm Seals can be provided with gauges upon request.

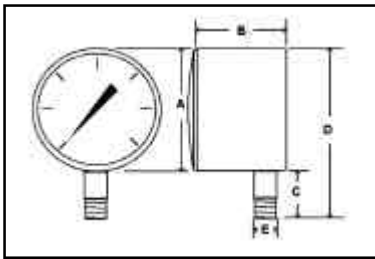


PRESSURE GAUGES AND INSTRUMENTS

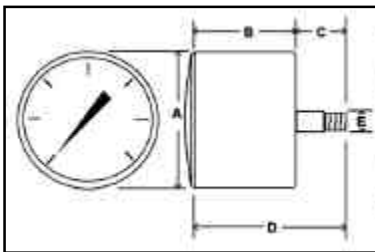
INDUSTRIAL GAUGES 500 SERIES

Low Pressure Gauges

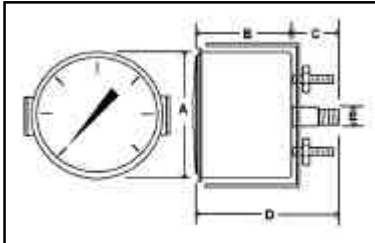
LP1



LP2



LP3



SPECIFICATIONS:

CHROME PLATED CASE (BOTTOM CONNECTION)
BLACK STEEL CASE (BACK & PNL MOUNT)
BRASS INTERNALS AND CONNECTION
DRY NON-FILLABLE
+/- 1.5 % ACCURACY

FEATURES

- 2 1/2" DIAL SIZE WITH TWIST LOCK PLASTIC LENS
- CAPSULE TYPE DIAPHRAGM TO MEASURE LOW PRESSURES
- 1/4" MNPT BOTTOM OR BACK CONNECTION

AVAILABLE RANGES:

- 30-0"wc vacuum (.5"wc minor inc.)
- 0-10"wc (.5"wc minor inc.)
- 0-15"wc (.2"wc minor inc.)
- 0-30"wc (.5"wc minor inc.)
- 20 oz./35"wc (.5"wc minor inc.)
- 35 oz./60"wc (1"wc minor inc.)
- 0-60"wc (1"wc minor inc.)
- 0-100"wc (2"wc minor inc.)
- 0-160"wc (5"wc minor inc.)
- 0-200"wc (5"wc minor inc.)

- 0-3 psi (.05 psi minor inc.)
- 0-5 psi (.1 psi minor inc.)
- 0-10 psi (.2 psi minor inc.)

NOTE: OTHER RANGES AVAILABLE UPON REQUEST. PLEASE CALL WITH ANY INQUIRIES.

	LP1	LP2	LP3
A	2.60"	2.85"	2.85"
B	1.70"	1.60"	1.60"
C	.85"	.85"	.85"
D	3.45"	2.45"	2.45"
E	.55"	.55"	.55"
F	-----	2.60"	2.60"



PRESSURE GAUGES AND INSTRUMENTS

INDUSTRIAL GAUGES 500 SERIES

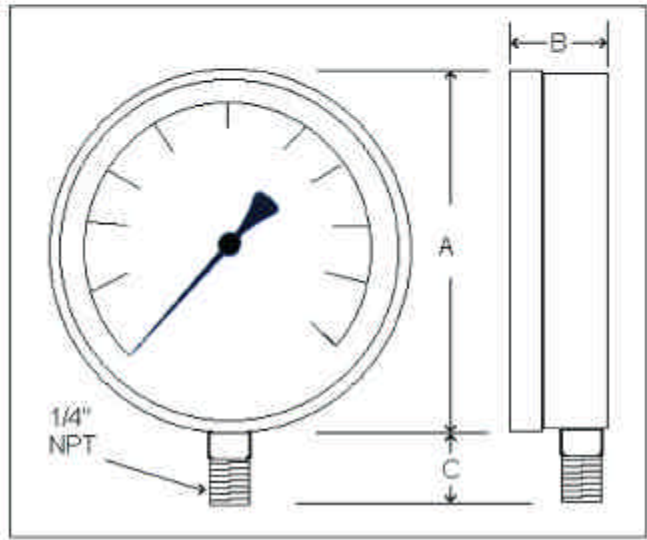
Contractor 4 1/2" Dial Gauges

These gauges have been designed and built with the contractor in mind. With a price that makes this the most attractive gauge for use on any project where bronze internals are suitable for use. Some typical applications are; Air, Water, Gas, Oil And Steam* (* A pigtail siphon should always be used when putting any gauge into steam service).



STANDARD FEATURES

- Stainless Steel Case (For Rust And Corrosion Resistance)
- Plastic Lens (To Resist Breakage & Won't Shatter)
- +/- 1 % Full Scale Accuracy
- Zero Adjust Screw On Dial (For Additional Fine Tuning)
- Large Easy To Read Numbers (On Single Scale Psi Only Dial)



PART NUMBER	RANGE	MAJOR	MINOR
CONTRACTOR-4LA	30" HG VAC	5" hg	2" hg
CONTRACTOR-4LCC	30/0/30	5 psi	1 psi
CONTRACTOR-4LCE	30/0/100	10 psi	1 psi
CONTRACTOR-4LCF	30/0/160	25 psi	2.5 psi
CONTRACTOR-4LB	0/15	2.5 psi	.25 psi
CONTRACTOR-4LC	0/30	5 psi	1 psi
CONTRACTOR-4LD	0/60	10 psi	1 psi
CONTRACTOR-4LE	0/100	10 psi	1 psi
CONTRACTOR-4LF	0/160	20 psi	2 psi
CONTRACTOR-4LG	0/200	20 psi	2 psi
CONTRACTOR-4LH	0/300	50 psi	5 psi
CONTRACTOR-4LJ	0/500	50 psi	5 psi

	A	B	C
INCHES	4.9"	1.17"	.97"
MM	124	30	25

Note: All typical accessory type items such as gauge cocks, Pigtail/syphons, snubbers, needle valves or diaphragm seals can be provided with gauges upon request.



PRESSURE GAUGES AND INSTRUMENTS

LIQUID FILLED GAUGES 501L SERIES

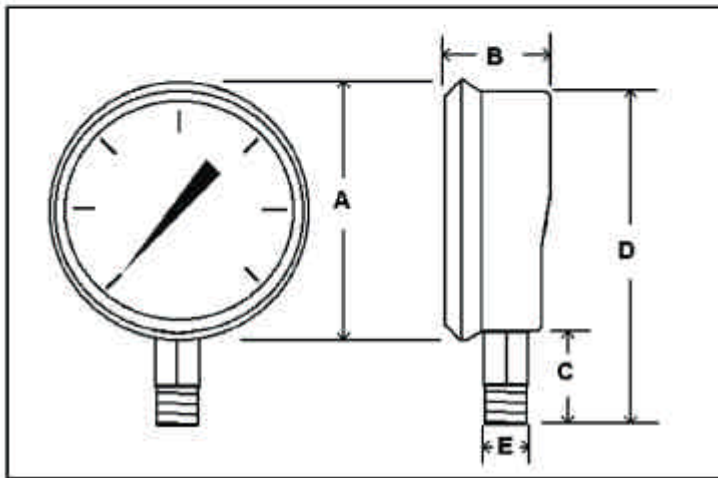
Our '500' series gauge line is a high quality line of liquid filled gauges. The glycerine filling helps dampen the effects of pulsation and vibration, while also perpetually lubricating the movement (and keeping contaminants such as dirt away from all moving parts) which will extend the life of the gauge.

This gauge has been specifically designed with the original equipment manufacturers in mind and are typically used on hydraulic & pneumatic systems as well as any commercial or industrial application not corrosive to brass and bronze wetted parts where glycerine filling is suitable for use.



SPECIFICATIONS:

- Available Dial Sizes: 2 1/2"
- Connection Sizes: 1/4"MNPT
- Brass Case And Bezel
- Brass Internals & Connection
- Phosphour Bronze Bourdon Tube
- Liquid Filled (Dry Available)
- Accuracy: 1.5 % Full Scale
- Dual Scale: PSI & Bar (x100=kPa)
Single Scale available - PSI
- Ambient temperature: FILLED: minus - 30 °F to 160 °F
DRY: - 30 °F to 180 °F



RANGE	CODE	MAJOR	MINOR
30/0"VAC	A	5' hg	0.5
30/0/15	CB	5 psi	0.5 psi
30/0/30	CC	10 psi	1 psi
30/0/60	CD	10 psi	1 psi
30/0/100	CE	20 psi	2 psi
30/0/150	CF	20 psi	2 psi
30/0/300	CH	50 psi	10 psi
0/15	B	2 psi	0.2 psi
0/30	C	5 psi	0.5 psi
0/60	D	10 psi	1 psi
0/100	E	20 psi	2 psi
0/160	F	20 psi	2 psi
0/200	G	40 psi	4 psi
0/300	H	50 psi	5 psi
0/400	I	50 psi	5 psi
0/600	K	100 psi	10 psi
0/800	L	100 psi	10 psi
0/1000	M	200 psi	20 psi
0/1500	N	200 psi	20 psi
0/2000	O	400 psi	50 psi
0/3000	P	500 psi	50 psi
0/4000	Q	500 psi	50 psi
0/5000	R	1000 psi	100 psi
0/6000	S	2000 psi	200 psi
0/10,000	U	2000 psi	200 psi
0/15,000	V	2000 psi	200 psi

		A	B	C	D	E
2 1/2"	INCHES	2.80	1.28	1.07	3.55	1/4"
	Dial	MM	71	33	27	90



PRESSURE GAUGES AND INSTRUMENTS

PROCESS GAUGE PART NUMBERING SYSTEM

TYPE SERIES	DIAL SIZE
4 = PROCESS GAUGE	45 = 4 1/2" DIAMETER
	60 = 6" DIAMETER
WETTED PARTS	CONN. SIZE
1 = BRONZE	4 = 1/4"NPT MALE
5 = 316SS	2 = 1/2"NPT MALE
7 = MONEL 400 (N.A.C.E. MR 01. 75)	
MOUNTING STYLE	RANGES
0 = BOTTOM CONNECTION STEM MOUNTED	A = 30/0" hg Vac
2 = BACK CONNECTION STEM MOUNTED	CB = 30/0/15 PSI
4 = BACK CONNECTION FRONT FLANGED, PNL MTD	CC = 30/0/30 PSI
5 = BACK CONNECTION WITH FLUSH MOUNTING RING	CD = 30/0/60 PSI
	CE = 30/0/100 PSI
	CF = 30/0/150 PSI
	CG = 30/0/200 PSI
	CH = 30/0/300 PSI
	B = 0/15 PSI
	C = 0/30 PSI
	D = 0/60 PSI
	E = 0/100 PSI
	F = 0/160 PSI
	G = 0/200 PSI
	H = 0/300 PSI
	I = 0/400 PSI
	J = 0/500 PSI
	K = 0/600 PSI
	L = 0/800 PSI
	M = 0/1000 PSI
	N = 0/1500 PSI
	O = 0/2000 PSI
	P = 0/3000 PSI
	Q = 0/4000 PSI
	R = 0/5000 PSI
	S = 0/6000 PSI
	U = 0/10,000 PSI
	V = 0/15,000 PSI
	W = 20,000 PSI
	X = Other Single Scales KPA, Bar, etc.
TYPE FILLING	
D = DRY GAUGE- NOT FILLED	
L = GLYCERINE FILLED	
S = SILICONE FILLED	

EXAMPLE: " 410L-454E "

- 4 = PROCESS GAUGE
- 1 = BRASS INTERNALS
- 0 = STEM MOUNT-BOTTOM CONNECT
- L = GLYCERINE FILLED
- 4 5 = 4 1/2" DIAL SIZE
- 4 = 1/4" MALE NPT THREADS
- E = 0/100 PSI

INSTRUMENT PART NUMBERING SYSTEM

TYPE SERIES	DIAL SIZE
1 = ABS Case/STEEL CASE W/CHROME RING BRASS INTERNALS	15= 1 1/2" DIAMETER
2 = STAINLESS STEEL CASE BRASS INTERNALS	20= 2" DIAMETER
3 = STAINLESS STEEL CASE 316 SS INTERNALS	25= 2 1/2" DIAMETER
4 = AMMONIA GAUGE STEEL SKT, STST TUBE	35= 3 1/2" DIAMETER
5 = BRASS CASE BRASS INTERNALS	40= 4" DIAMETER
	45= 4 1/2" DIAMETER
	60= 6" DIAMETER
SPECIAL FEATURES	CONN. SIZE
0 = STANDARD GAUGE	8= 1/8 " NPT MALE
1 = REMOVABLE RING, ADJUSTABLE POINTER	4= 1/4"NPT MALE
	2= 1/2"NPT MALE
MOUNTING STYLE	RANGES
0 = BOTTOM CONNECTION STEM MOUNTED	A = 30/0" hg Vac
1 = BOTTOM CONNECTION STEM MOUNTED	CB = 30/0/15 PSI
2 = BACK CONNECTION STEM MOUNTED	CC = 30/0/30 PSI
3 = BACK CONNECTION U-CLAMP, PANEL MTD	CD = 30/0/60 PSI
4 = BACK CONNECTION FRONT FLANGED, PNL MTD	CE = 30/0/100 PSI
5 = BOTTOM CONNECTION BACK FLANGED, WALL MNT	CF = 30/0/150 PSI
	CG = 30/0/200 PSI
	CH = 30/0/300 PSI
	B = 0/15 PSI
	C = 0/30 PSI
	D = 0/60 PSI
	E = 0/100 PSI
	F = 0/160 PSI
	G = 0/200 PSI
	H = 0/300 PSI
	I = 0/400 PSI
	J = 0/500 PSI
	K = 0/600 PSI
	L = 0/800 PSI
	M = 0/1000 PSI
	N = 0/1500 PSI
	O = 0/2000 PSI
	P = 0/3000 PSI
	Q = 0/4000 PSI
	R = 0/5000 PSI
	S = 0/6000 PSI
	U = 0/10,000 PSI
	V = 0/15,000 PSI
	W = 20,000 PSI
	X = Other Single Scales KPA, Bar, etc.
TYPE FILLING	
D = DRY GAUGE- NOT FILLED	
L = GLYCERINE FILLED	
S = SILICONE FILLED	

EXAMPLE: " 201L-254E "

- 2 = ST. STEEL CASE BRASS INTERNALS
- 0 = STANDARD GAUGE
- 1 = STEM MOUNT-BOTTOM CONNECT
- L = GLYCERINE FILLED
- 2 5 = 2 1/2" DIAL SIZE
- 4 = 1/4" MALE NPT THREADS
- E = 0/100 PSI





DIGITAL PRESSURE GAUGES PG 2000



- Large 3.5 digit display with 0.5 in. digits
- Available ranges from vacuum up to 2,000 psi
- 20 minute auto-off optional at no extra cost
- Rugged, chemical-resistant case
- Display capability to 1999
- Battery operated with convenient on/off switch
- $\pm 0.25\%$ accuracy of full scale Digital Pressure Gauge

Options

- Metric units of measure available at no extra cost
- Metric process connection fittings available
- Rear pressure port
- Zero adjust knob
- External power
- 0 –2 VDC output (battery powered)
- 4-20 mA output (loop powered)
- 0.25% ± 1 digital count accuracy with NIST certification
- Absolute
- Clean for oxygen service
- For OEM applications or other configurations, consult factory

Accessories

- Panel mount flange (rear pressure port only)
- AC power adapter with DC output
- Shock damping rubber boot

Operational Description

Battery Powered Digital Gauge Offers High Accuracy at Low Cost

Utilizing a solid state design, the PG-2000 incorporates a semi-conductor strain gage pressure transducer as the sensing element, conditioned by state of the art surface mount electronics. The unit requires very low power consumption, resulting in a battery life of two years in typical use.

The large 3.5 digit display and $\pm 0.25\%$ full scale accuracy allows you to replace much larger mechanical gauges.

Applications

No special tools or adaptors are required for installation of the PG-2000. This makes the unit an easy, cost-effective replacement for less accurate, standard mechanical gauges. The unit's long life, ease of operation, high accuracy, and low cost make it perfect for all applications where standard 2 1/2 in. or larger mechanical gauges have been used.



PRESSURE GAUGES AND INSTRUMENTS

DIGITAL PRESSURE GAUGES | PG 2000

SPECIFICATIONS

Performance
Standard Pressure Ranges
Compound Gauge: From vac up to 200 psi
Gauge or Absolute: From 0 to 2000 psi
Overpressure: 2x full scale
Burst Pressure: 10x full scale or 20,000 psi (whichever is less)
Accuracy (linearity, hysteresis, & repeatability): ±0.25% of full scale (B.F.S.L.) ±1 digital count; traceable certification also available
Thermal Zero Shift: ±0.02% F.S./°F
Thermal Sensitivity Shift: ±0.02% F.S./°F
Life: 10 million cycles minimum
Environmental
Compensated Temp: 30 to 130°F (-1 to 54°C)
Storage Temp: -40 to 160°F (-40 to 71°C)
Operating Temp: 0 to 160°F (-18 to 71°C)
Electrical
Batteries: Standard 9 V (1), user replaceable (2-year life typical with auto off option)
External Power: 10-32 VDC
Display Type: 3.5 digit LCD, 0.5 in. digits
Transducer Resolution: Infinite
Display Resolution: 1 part in 1999
Low Battery Detection: Displays "LOBAT"
Adjustments: Front accessible "Z": Zero Adjust; "S": Span Adjust
Auto Off: 20 minutes
Physical
Construction Materials
Case: Injection molded case material EMI-X® PDX-W-88341
Wetted Materials: SS 15-5; 316L SS available at no extra charge (Ranges under 100 psi, in 316L SS incorporate a Hastelloy® diaphragm); One piece Hastelloy® fitting also available (minimum quantities required)
6 Pin Connector: Electrical receptacle, R04-R6M or equivalent with optional output selections (included with optional output selections)
6 Pin Mating Connector: R04-J6F or equivalent (included with optional output selections)
External Power Connector: 1/8 in. – 3 conductor (included with optional external power selection)
External Power Mating Connector: 1/8 in. – 3 conductor (included with optional external power selection)
Cavity Volume: 0.07 ^{cc} in.

Specifications are subject to change without notice.

ELECTRICAL SPECIFICATIONS

4-20 mA Output
Excitation: 6-35 VDC max
Input Current: 3-30 mA max
Output: 4-20 mA ±0.16 mA at set points
Output/Input: 2 wire loop powered
Resolution: Infinite
Protection: Reversed polarity
0-2 VDC Output
Excitation: Battery powered
Output: Zero set point is ±0.150 V with a 2 VDC span ±0.05 VDC
Output/Input: 2 wire
Resolution: Infinite
Protection: Battery powered

PRESSURE RANGES

Range Option	Range	Unit of Measure	Resolution
30**	-30 to 0	inHg	0.1
20	0 to 20	psi	0.01*
30	0 to 30	psi	0.1
60	0 to 60	psi	0.1
100	0 to 100	psi	0.1
200	0 to 200	psi	0.1
1000	0 to 1000	psi	1
2000	0 to 2000	psi	1

Other ranges available.

*Requires G2 option when ordering.

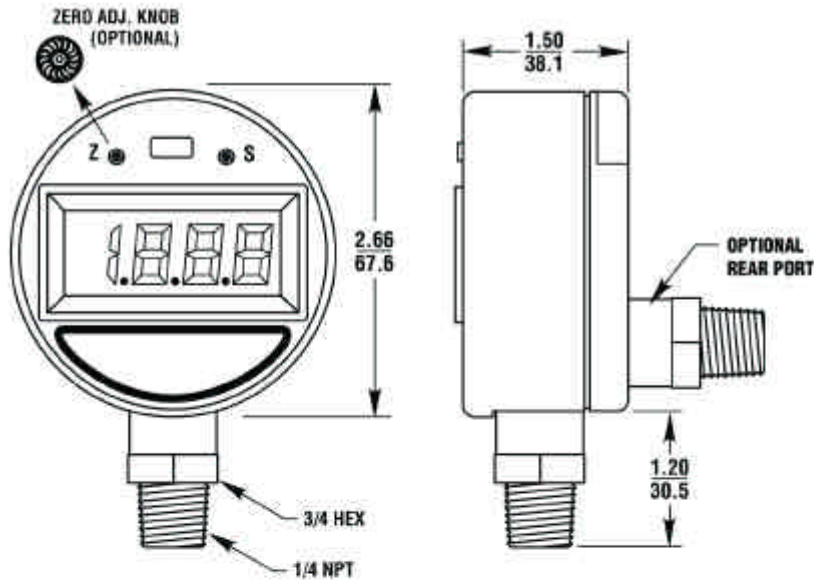
**Requires VAC when ordering.



PRESSURE GAUGES AND INSTRUMENTS

DIGITAL PRESSURE GAUGES | PG 2000

DIMENSIONS — IN./MM

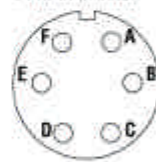


WIRING

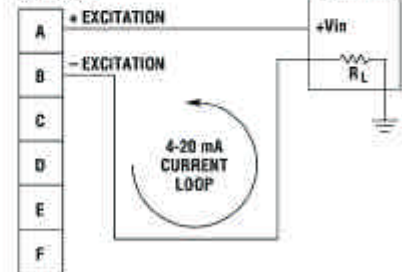
PG-2000 Pin Out Table

	4-20 mA	0-2 VDC	Ex Pwr
6 Pin Circular	A + Excitation	N/C	N/C
	B - Excitation	N/C	N/C
	C N/C	N/C	N/C
	D N/C	N/C	N/C
	E N/C	N/C	N/C
	F N/C	N/C	N/C
1/8" Plug	Tip N/C	+ Output	+ Pwr
	Ctr N/C	- Output	- Pwr
	Body N/C	N/C	N/C

6 Pin Connector



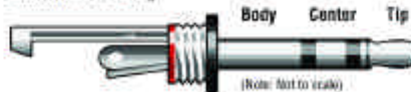
Typical 4-20 mA Circuit



Electrical Cable Specifications

AWG: 26
Stranding: 7/34
Type: MIL-W-16878E
Shield: 36 AWG TPC Braid
Jacket: PVC

External Power Plug





DIGITAL PRESSURE GAUGES PG 6000



Options

- Metric units of measure available at no extra cost
- Metric process fittings available
- 0.25% \pm 1 digital count accuracy with NIST certification
- Clean for oxygen service

Applications

The PG-6000 directly replaces many larger mechanical gauges while giving improved accuracy, readability, and durability. The digital circuitry averages and displays pulsating pressures which would quickly ruin a mechanical gauge. The PG-6000 has found wide acceptance in applications ranging from process measurements to use as a portable pressure standard.

Operational Description

Battery-Powered Digital Gauge is an Economical Replacement for Mechanical Gauges.

- 3.5 digit display
- Available ranges from vacuum up to 2,000 psi
- Stainless steel enclosure
- Display capability to 1999
- Battery operated (2 year life—continuous use)
- \pm 0.25% accuracy of full scale

With a solid state design, the PG-6000 incorporates a stainless steel wetted surface semi-conductor strain gauge pressure transducer as the sensing element and is conditioned by hybrid circuitry. The 3.5 digit LCD display unit has very low power consumption, resulting in battery life of over two years with continuous operation. A low battery indicator is standard on all units.



PRESSURE GAUGES AND INSTRUMENTS

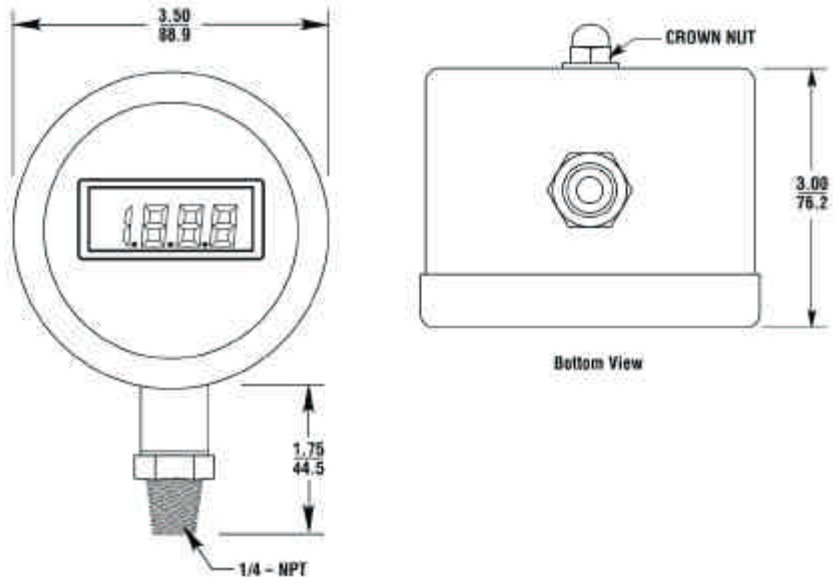
DIGITAL PRESSURE GAUGES | PG 6000

SPECIFICATIONS

Performance
Standard Pressure Ranges
Vacuum: From vac up to 0 psi
Gauge or Absolute: From 0 to 2000 psi
Overpressure: 2x full scale
Burst Pressure: 10x full scale, or 20,000 psi, (whichever is less)
Accuracy (linearity, hysteresis, and repeatability): ±0.25% of full scale (B.F.S.L.) ±1 digital count; traceable certification also available
Thermal Zero Shift: ±0.02% F.S./°F
Thermal Sensitivity Shift: ±0.02% F.S./°F
Life: 10 million cycles minimum
Environmental
Compensated Temp: 30 to 130°F (0 to 54°C)
Storage Temp: -40 to 160°F (-40 to 71°C)
Operating Temp: 0 to 160°F (-18 to 71°C)
Electrical
Batteries: (2) 3.6 V, C-size lithium battery (2 year life typical)
Display Type: 3.5 digit LCD, 0.5 in. digits
Transducer Resolution: Infinite
Display Resolution: 1 part in 1999
Low Battery Detection: Displays "LOBAT"
Physical
Construction Materials:
Case: Stainless steel
Wetted Materials: SS 15-5, 316L SS available at no extra charge (Ranges under 100 psi, in 316L SS incorporate a Hastelloy® diaphragm); One piece Hastelloy® fitting also available (minimum quantities required)
Cavity Volume: 0.07 ³ in.

Specifications are subject to change without notice.

DIMENSIONS — IN./MM



PRESSURE RANGES

Range Option	Range	Unit of Measure	Resolution
30*	-30 to 0	inHg	0.1
20	0 to 20	psi	0.1
60	0 to 60	psi	0.1
100	0 to 100	psi	0.1
200	0 to 200	psi	1
500	0 to 500	psi	1
1000	0 to 1000	psi	1
2000	0 to 2000	psi	1

Other ranges available.

* Requires VAC when ordering.



PRESSURE GAUGES AND INSTRUMENTS

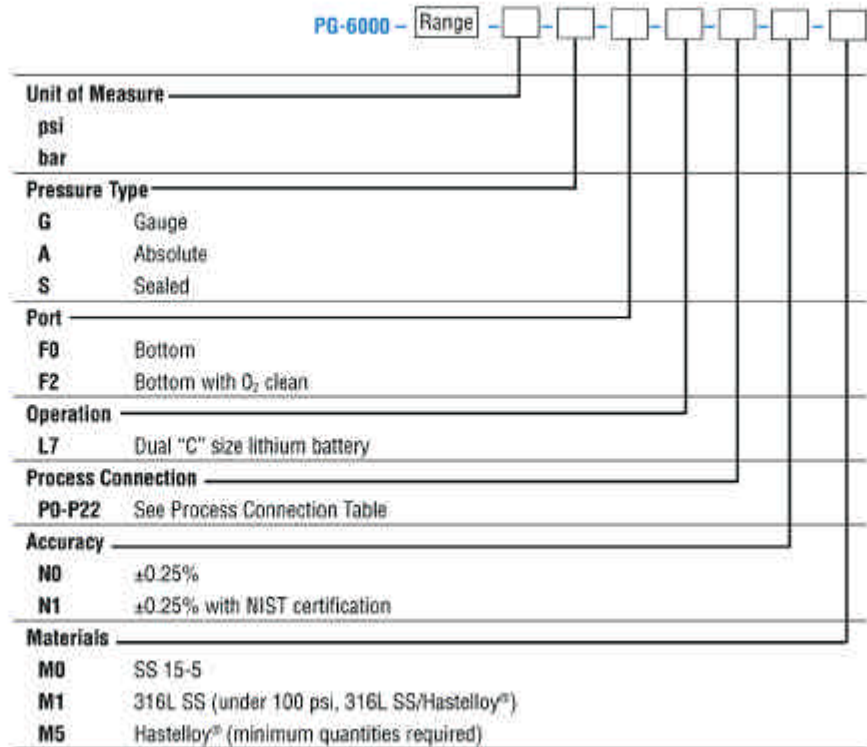
DIGITAL PRESSURE GAUGES | PG 6000

OPTION TABLE

PROCESS CONNECTION TABLE

P0	1/4-18 NPTM
P2	1 1/2 in. sanitary
P5	1/4-18 NPTF
P7	7/16-20 SAE male
P8	7/16-20 SAE female
P10	9/16-18 SAE male
P11	VCR male
P12	VCR swivel male
P13	VCR swivel female
P14	1/8-27 NPTM
P15	1/8-27 NPTF
P16	PT 1/4 (BSP 1/4)
P17	3/8 BSP
P19	Stub tube
P20	Mini seal 1/4-18 NPTF to mini seal 1/4-18 NPTM
P21	Mini seal 1/4-18 NPTF to mini seal 1/2-14 NPTM
P22	G3/8 (3/8 BSPP)

ORDERING INFORMATION





PRESSURE GAUGES AND INSTRUMENTS

DIGITAL PRESSURE GAUGES PG 7000



- Large, full 4 digit display with 0.5 in. characters
- Available ranges from vacuum up to 10,000 psi
- Weather resistant
- Keypad operated microprocessor circuit has "TARE" (auto zero), peak hold and visual alarm as standard functions
- A 16 minute auto off circuit at standard price
- Display capability to 9999
Self-powered by standard 9 V battery
- $\pm 0.25\%$ accuracy of full scale

Options

- Rear pressure port
- Metric units of measure available at no extra cost
- Metric process connection fittings available
- $\pm 0.1\%$ full scale accuracy for selected ranges, consult factory
- External power
- Functional alarm as a normally closed transistor switch
- For OEM applications or other configurations, consult factory
- Clean for oxygen service

Accessories

- Panel mount flange (rear pressure port only)
- AC power adapter with DC output
- Shock damping rubber boot

Operational Description

Battery Powered Digital Gauge Offers Full Four Digit Display.

The latest in solid state design, the weather-resistant PG-7 utilizes a semi-conductor strain gage pressure transducer as the sensing element in conjunction

with a microprocessor based electronics. The all-stainless steel sensor is resistant to most typical exposures of vibration and shock. The ABCO gauge is also less sensitive to the effects of pulsating pressures, a major advantage when compared to vibration manifest in dial gauges. State-of-the-art electronics in conjunction with the auto off circuit results in exceptional battery life. The 4-digit, 0.5 in. high LCD display and $\pm 0.25\%$ full-scale accuracy provides the opportunity to replace much larger mechanical analog gauges. Available options include auto off timers, rear port, and external power. Available accessories include panel mount flange (rear pressure port only), AC power adapter with DC output, and shock dampening rubber boot.

Applications

The PG-7000 Digital Pressure Gauge provides an accurate measurement, vacuum to 500 psi or 0 to 10,000, gauge or absolute, of any gas or non-cryogenic liquid media compatible with 15-5PH or 316L SS (optional). STI digital pressure gauges are used in a wide spectrum of industries. These industries include petrochemical, semiconductor.

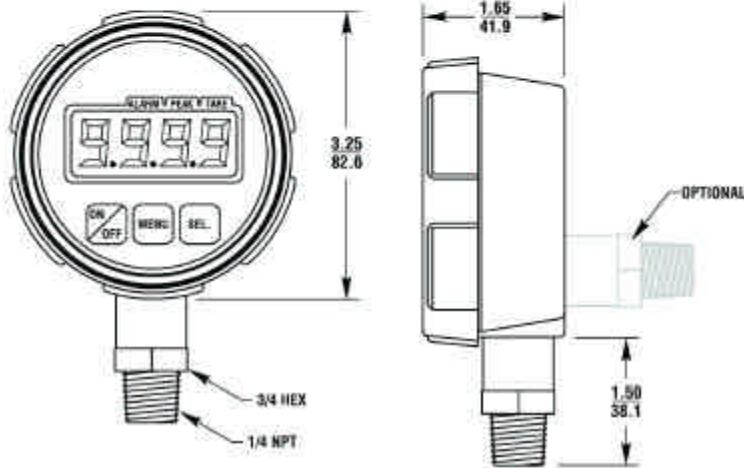


PRESSURE GAUGES AND INSTRUMENTS

DIGITAL PRESSURE GAUGES | PG 7000

automotive, aircraft, scuba diving, agriculture, food processing and water treatment facilities. The PG-7 offers a cost-effective solution to the replacement of less accurate mechanical analog gauges:

DIMENSIONS — IN./MM



WIRING

PG-7 Pin Out Table

	Ex Pwr
A	+ Pwr
B	- Pwr (Com)
C	N/C
D	N/C
E	N/C
F	N/C

6 Pin Connector



PRESSURE RANGES

Range Option	Range	Unit of Measure	Resolution
30**	-30 to 0	inHg	0.1
20	0 to 20	psi	0.01*
30	0 to 30	psi	0.1
60	0 to 60	psi	0.1
100	0 to 100	psi	0.1
500	0 to 500	psi	0.1
1000	0 to 1000	psi	1
5000	0 to 5000	psi	1
10000	0 to 10000	psi	1

Other ranges available.

*Requires G2 option when ordering.

**Requires VAC when ordering.

SPECIFICATIONS

Performance
Standard Pressure Ranges:
Compound Gauge: From vac up to 500 psi
Gauge or Absolute: From 0 to 10000 psi
Overpressure: 2x full scale
Burst Pressure: 10x full scale or 20,000 psig (whichever is less)
Accuracy (linearity, hysteresis, and repeatability): ±0.25% of full scale (B.F.S.L.); traceable certification also available for ±0.25% and ±0.1% accuracy
Thermal Zero Shift: ±0.02% F.S./°F
Thermal Sensitivity Shift: ±0.02% F.S./°F
Life: 10 million cycles minimum
Environmental
Compensated Temp: 30 to 130°F (-1 to 54°C)
Storage Temp: -40 to 160°F (-40 to 71°C)
Operating Temp: 0 to 160°F (-18 to 71°C)
Electrical
Batteries: Standard 9 V (1), user replaceable (2-year life typical with auto off option)
External Power: 10-32 VDC
Display Type: 4 digit LCD, 0.5 in. digits
Transducer Resolution: Infinite
Display Resolution: 1 part in 10,000
Low-Battery Detection: Displays battery symbol
Auto-Off: 16 min. standard
Features: Tare (Auto Zero), Peak Hold, Alarm
Physical
Construction Materials
Case: Injection molded case material EMI-X [®] PDX-W-88341
Wetted Materials: SS 15-5; 316L SS available at no extra charge (Ranges under 100 psi, in 316L SS incorporate a Hastelloy [®] diaphragm); one piece Hastelloy [®] fitting also available (minimum quantities required)
Connector: 6 pin circular R04-R6M or equivalent (included with optional external power selection)
Mating Connector: 6 pin circular R04-J6F or equivalent (included with optional external power selection)
Cavity Volume: 0.07 ³ in

Specifications are subject to change without notice.



DIGITAL PRESSURE GAUGES PG 10000



- Extra large full 4-digit display with 0.75 in. characters and 270 ° bar graph “analog” readout
 - Available ranges from vacuum up to 10,000 psi
 - Direct reading to 10,000 psi
 - Weather resistant seal
 - Microprocessor-based circuit
 - Keypad enable/disable of peak high or peak low hold
 - Auto “TARE ” ((zero)feature
 - Visual alarm set point indication
 - Automatic light-actuated battery-saver circuit
 - Self powered
 - $\pm 0.25\%$ accuracy of full scale
- Digital Pressure Gauge

Options

- Metric units of measure available at no extra cost
- Metric process connection fittings available
- Rear pressure port
- Dual functional alarms as a normally closed transistor switch
- 0-2 VDC output (battery powered)
4-20 mA 2 wire circuit (loop powered)
- 0-5 VDC output (external power)
RS-232 output
- $\pm 0.1\%$ full scale accuracy with NIST certification, on selected ranges
- Dual lithium batteries
- Clean for oxygen service
- For OEM applications or other configurations, consult factory

Accessories

- Panel mount flange (rear pressure port only)
- AC power adapter with DC output

Operational Description

Battery Powered Digital Gauge Offers Digital and Analog Display with Standard High or Low Peak Hold.

The PG-10000 digital gauge combines the best features of analog and digital instruments. The 0.75 in. high full 4 digit display is easily read at a distance and the “analog ” bar indicator around the circumference allows virtually instant estimation of changing pressures and gives visual indication of alarm set points. The all-stainless steel sensor is resistant to most typical exposures of vibration and shock. The gauge is also less sensitive to the effects of pulsating pressures, a major advantage when compared to vibration manifest in dial gauges. Available options include active alarm set points, 0-2 V or 0-5 V analog output, 4-20 mA transmitter output, and RS-232 output.

Applications

The PG-10000 is ideal for portable test gauge ($\pm 0.1\%$ accuracy available), process control combined with local indication, highly cyclical pressures where mechanical gauges are failing, burst tests (with peak hold), and many severe environments.



PRESSURE GAUGES AND INSTRUMENTS

DIGITAL PRESSURE GAUGES | PG 10000

SPECIFICATIONS

Performance
Standard Pressure Ranges
Compound Gauge: From vac up to 500 psi
Gauge or Absolute: From 0 to 10000 psi
Overpressure: 2x full scale
Burst Pressure: 10x full scale or 20,000 (whichever is less)
Accuracy (linearity, hysteresis, and repeatability): ±0.25% of full scale (B.F.S.L.) ±1 digital count; traceable certification also available for ±25% and ±0.1% accuracy
Thermal Zero Shift: ±0.02% F.S./°F
Thermal Sensitivity Shift: ±0.02% F.S./°F
Life: 10 million cycles minimum
Environmental
Compensated Temp: 30 to 130°F (-1 to 54°C)
Storage Temp: -40 to 160°F (-40 to 71°C)
Operating Temp: 0 to 160°F (-18 to 71°C)
Electrical
Batteries
Standard: 3.6 V C-size lithium battery, 8,000 hrs. typical
Optional: (2) 3.6 V, C-size lithium battery, 16,000 hrs. typical
External Power: 10-32 VDC
Display Type: 4 digit LCD, 0.75 in. digits, and 40 segment bar graph
Transducer Resolution: Infinite
Display Resolution: 1 part in 10,000
Low Battery Detection: Displays battery symbol
Features
Hold: Peak Hi/Peak Lo: Keypad enable
Auto "Tare": Keypad operated auto zero
Auto Off: Light sensor actuated
Optional Dual Alarms: Normally closed, open drain FET transistor, PNP outputs
Physical
Construction Materials
Case: Weather resistant injection molded phenolic. Case sealed with Buna-N O-ring. For mounting holes, use a 4.65 in. bolt circle diameter (3 x 120° typical) from the top mounting hole.
Wetted Materials: SS 15-5; 316L SS (Ranges under 100 psi, in 316L SS incorporate a Hastelloy® diaphragm); One piece Hastelloy® fitting also available (minimum quantities required)
6 Pin Connector: Electrical receptacle, R04-R6M or equivalent (included with optional output or external power selections)
6 Pin Mating Connector: R04-J6F or equivalent (included with optional output or external power selections)
Cavity Volume: 0.09 ³ in.

Specifications are subject to change without notice.

ELECTRICAL SPECIFICATIONS

4-20 mA Output
Excitation: 6-35 VDC max
Input Current: 3-30 mA max
Output: 4-20 mA ±0.16 mA at set points
Output/Input: 2 wire loop powered
Resolution: Infinite
Protection: Reversed polarity

0-2 VDC Output
Excitation: Battery powered
Output: Zero set point is ±0.150 V with a 2 VDC span ±0.05 VDC
Output/Input: 2 wire
Resolution: Infinite
Protection: Battery powered

0-5 VDC Output
Excitation: 12-31 VDC
Input Current: 6 mA max
Output: 0-5 VDC / ±0.05 VDC at set points
Output/Input: Non-isolated 3 wire
Resolution: Infinite
Protection: Reversed polarity

RS-232 Output
Fixed 300 Baud, 1 start bit, 8 data bits, 1 stop bit, no parity, 16 bit data word in two's complement format in two bytes delimited by commas. Comes with a sample program.

PRESSURE RANGES

Range Option	Range	Unit of Measure	Resolution
30**	-30 to 0	inHg	0.1
30	0 to 30	psi	0.01*
60	0 to 60	psi	0.1
100	0 to 100	psi	0.1
200	0 to 200	psi	0.1
500	0 to 500	psi	0.1
1000	0 to 1000	psi	1
5000	0 to 5000	psi	1
10000	0 to 10000	psi	1

Other ranges available.

*Requires G2 option when ordering.

**Requires VAC when ordering.



PRESSURE GAUGES AND INSTRUMENTS

DIGITAL PRESSURE GAUGES | PG 10000

OPTION TABLES

UNIT OF MEASURE TABLE

There are 9 choices available:

psi	mmHg
bar	inHg
mbar	kgcm ²
kPa	fsw
INWC	

PORT TABLE

F0	Bottom
F1	Rear
F2	Bottom with O ₂ clean
F3	Rear with O ₂ clean

ELECTRICAL CABLE LENGTH TABLE

Cable Length	Output Signal		
	4-20 mA	0-2 VDC	0-5 VDC
W0 0 ft.	✓	✓	✓
W1 2 ft. (0.6 m)	✓	✓	✓
W2 5 ft. (1.5 m)	✓	✓	✓
W3 10 ft. (3 m)	✓	n/a	✓
W4 25 ft. (7.6 m)	✓	n/a	n/a
W5 50 ft. (15.2 m)	✓	n/a	n/a

PROCESS CONNECTION TABLE

P0	1/4-18 NPTM
P2	1 1/2 in. sanitary
P5	1/4-18 NPTF
P7	7/16-20 SAE male
P8	7/16-20 SAE female
P10	9/16-18 SAE male
P16	PT 1/4 (BSP 1/4)
P17	3/8 BSP
P20	Mini seal 1/4-18 NPTF to mini seal 1/4-18 NPTM
P21	Mini seal 1/4-18 NPTF to mini seal 1/2-14 NPTM
P22	G3/8 (3/8 BSPP)

OPTION TABLES

PG-10000 - Range - [] - [] - [] - [] - [] - [] - [] - [] - [] - []

Unit of Measure	See Unit of Measure Table
Pressure Type	See Pressure Type Table
Alarms	
C0	Dual visual alarms
C2	Dual visual and active alarm outputs
Operation	
L0-L4	See Operation Table
Port	
F0-F3	See Port Table
Electrical Connection	
E0	No connector
E1	6 pin circular with mate
Electrical Cable Length	
W0-W5	See Electrical Cable Length Table
Process Connection	
P0-P22	See Process Connection Table
Accuracy	
N0	±0.25%
N1	±0.25% with NIST certification
N2	±0.1% with NIST certification (selected ranges)
Materials	
M0	SS 15-5
M1	316L SS (under 100 psi, 316L SS/Hastelloy®)
M5	Hastelloy® (minimum quantities required)

ACCESSORIES

Please order separately, by part number.

Description	Part Number
Panel mount flange (rear port only)	512600
AC power adapter with DC output	511640
Replacement lithium battery	511655

PRESSURE TYPE TABLE

G	Gauge
G2	High resolution gauge
CG	Compound gauge
V	Vac
A	Absolute
S	Sealed

OPERATION TABLE

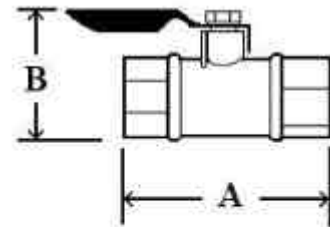
Operation	Electrical Connector
L0 "C" size lithium battery	E0
L1 4-20 mA output	E1
L2 0-2 VDC output	E1
L3 0-5 VDC output	E1
L4 External power	E1



PRESSURE GAUGE ACCESSORIES VALVES

A14

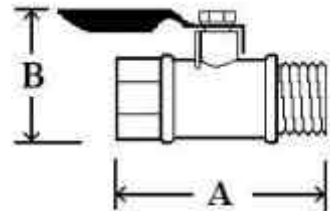
Ball Valve Style Gauge Cock
1/4" FNPT x 1/4" FNPT
Brass Body rated at 700 psi



	A	B
Inches	1.60"	1.30"
mm	40mm	33mm

A15

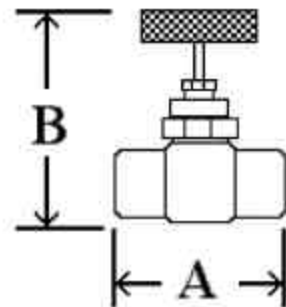
Ball Valve Style Gauge Cock
1/4" FNPT x 1/4" MNPT
Brass Body rated at 700 psi



	A	B
Inches	1.60"	1.35"
mm	40mm	34mm

NV-B-1/4

Needle Valve
1/4" FNPT x 1/4" MNPT
Brass Body rated at 600 psi



	A	B
Inches	1.62"	1.94"
mm	41mm	49mm



PRESSURE GAUGES AND INSTRUMENTS

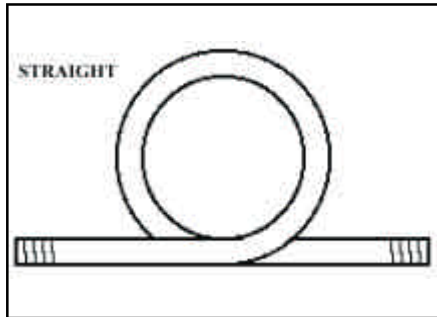
PRESSURE GAUGE ACCESSORIES
SIPHON (PIGTAIL)

Pigtail Siphons are typically used to act as a cooling or warming leg for applications where the process temperature is higher or lower than the ‘normal working temperature range’ as specified by NIST B40.1 in relation to instrumentation. Temperature extremes can cause inaccuracy or shorten the life span of instruments not specifically designed for severe duty applications.

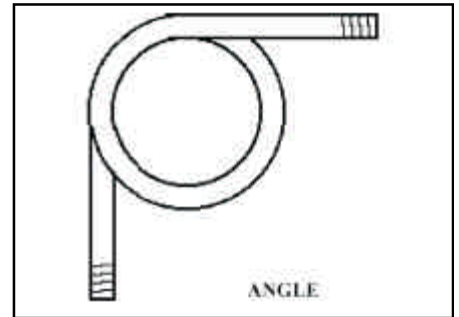
Siphons Pigtail



Straight



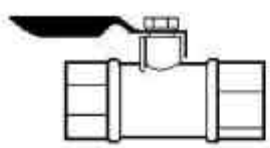
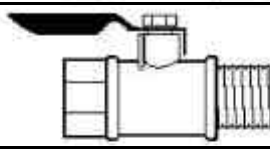
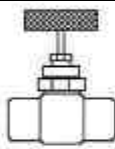
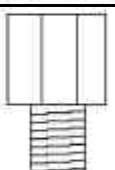
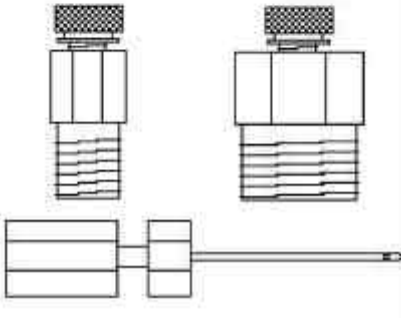
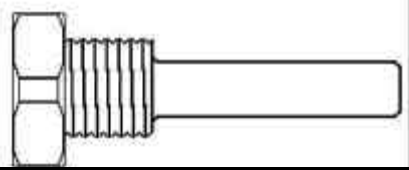
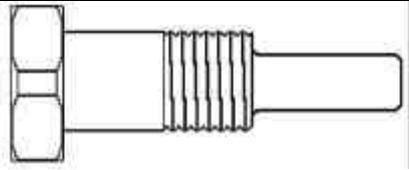
Angle



Part No.	Description	Ratings	
		Press	Temp
A03B	¼”NPT Brass Pigtail	250PSI	400’F
A031	¼”NPT Iron Pigtail	500PSI	400’F
CPS4	¼”NPT Steel Pigtail	1000PSI	850’F
CPS2	½”NPT Steel Pigtail	1000PSI	850’F
CPSS4	¼”NPT Stainless Steel Pigtail	2000PSI	1000’F
CPSS2	½”NPT Stainless Steel Pigtail	2000PSI	1000’F



PRESSURE GAUGE ACCESSORIES GENERAL

Part Number	Description	
A14 Gauge Cock	1/4" FNPT X 1/4" FNPT Brass Body Rated at 700 PSI	
A15 Gauge Cock	1/4" FNPT X 1/4" MNPT Brass Body Rated at 700 PSI	
NV-B-1/4 Needle Valve	1/4" FNPT x 1/4" FNPT Brass Body Rated at 2000 PSI	
FTS-B-1/4 Snubber	1/4" FNPT x 1/4" MNPT Brass Body Filter Type Snubber Rated at 3000 PSI	
PLUG-1/4	1/4" MNPT Brass Body Nordel Core Rated at 1000 PSI	
PLUG-1/2	1/2" MNPT Brass Body Nordel Core Rated at 1000 PSI	
ADAPTER-PP	1/4" FNPT x 1/8" Diameter Needle for Reading Pressure Through Test Plugs	
TWB-35 Industrial Thermowell (No Lag)	3 1/2" Brass Well 1 1/4"-18 NEF Thread x 3/4" MNPT for Standard Mercury in Glass Industrial Thermometer	
TWB-35-LAG Industrial Thermowell W/Lagging Extension	3 1/2" Brass Well 1 1/4"-18 NEF Thread x 3/4" MNPT w/Lagging Extension for Standard Mercury in Glass Industrial Thermometer	





TERMS AND CONDITIONS

WARNING :

1. Liquid Filled: Glycerin or Silicone when combined with strong oxidizing agents, including but not limited to chlorine, nitric acid and hydrogen peroxide can result in a spontaneous chemical reaction, ignition or explosion which can cause property damage and personal injury. If gauges are to be used in such service, do not use glycerin or silicone fill. Consult ABCO for proper fill medium.

2. General: A failure resulting in injury or damage may be caused by pressure beyond top of scale, excessive vibration or pressure pulsation, excessive instrument temperature, corrosion of the pressure containing parts, or other misuse. For correct use and application of pressure gauges, refer to ASME/ANSI standard B40.1 1991, entitled 'Gauges - Pressure Indicating Type - Plastic Element.' This document is available from the American Society of Mechanical Engineers, United Engineering Center, 345 East 47th Street, New York, NY 10007.

WARRANTY

American Block's warranty with respect to sale of its products is LIMITED to American Block's choice of repair, replacement or refund of the purchase price of products purchased from American Block Products determined by American Block to be defective within the first 12 months following the transfer of the title of the product from American Block to Purchaser are warranted. Upon termination of the 12 month period, the purchased product carries no warranty. The remedies provided in the LIMITED WARRANTY are the Purchaser's exclusive remedies in connection with the purchase or use of the product. American Block shall not be liable for any incidental or consequential damage in connection with the purchase or use of the product.

ALL OTHER WARRANTIES, INCLUDING EXPRESS WARRANTIES AND THE IMPLIED WARRANTIES OR MERCHANT LIABILITY AND FITNESS FOR A PARTICULAR PURPOSE ARE HEREBY DISCLAIMED. PURCHASER HEREBY WAIVES ALL OTHER WARRANTIES, RIGHTS AND REMEDIES ARISING BY LAW OR OTHERWISE INCLUDING, BUT NOT LIMITED TO, EXPRESS WARRANTIES, THE IMPLIED WARRANTIES ARISING FROM COURSE OF PERFORMANCE, COURSE OF DEALING OR USAGE OF TRADE, AND IMPLIED WARRANTY OF FITNESS FOR A PARTICULAR PURPOSE.

Complete Agreement: This limited Warranty of American Block is complete. All prior discussions, representations and/or understandings are merged into this warranty. All prior agreements supersede this Warranty. Choice Of Law: Any dispute about the representation of this Warranty shall be governed by the laws of State of Texas. Resolution of Dispute: Upon written notice to the other party, through binding arbitration governed by existing rules of the American Arbitration Association, any Purchaser and American Block shall resolve the dispute arising out of a purchase. The location of arbitration shall be in Houston, Harris County, Texas. The substantive laws of the State of Texas shall govern the arbitration to the extent they are not in conflict with the then existing rules of the American Arbitration Association. In no event shall American Block be liable for incidental or consequential damages as part of the arbitration award. The award, decision or filing rendered by the arbitration shall be final and judgment may be entered upon it in accordance with the applicable law in any court having appropriate jurisdiction.

TERMS AND CONDITIONS OF SALE:

Standard ABCO terms and conditions apply (copy may be requested).

ALL ABCO PRODUCTS ARE SUBJECT TO CONTINUOUS IMPROVEMENT. THEREFORE, MATERIAL AND SPECIFICATION ARE SUBJECT TO CHANGE WITHOUT NOTICE.