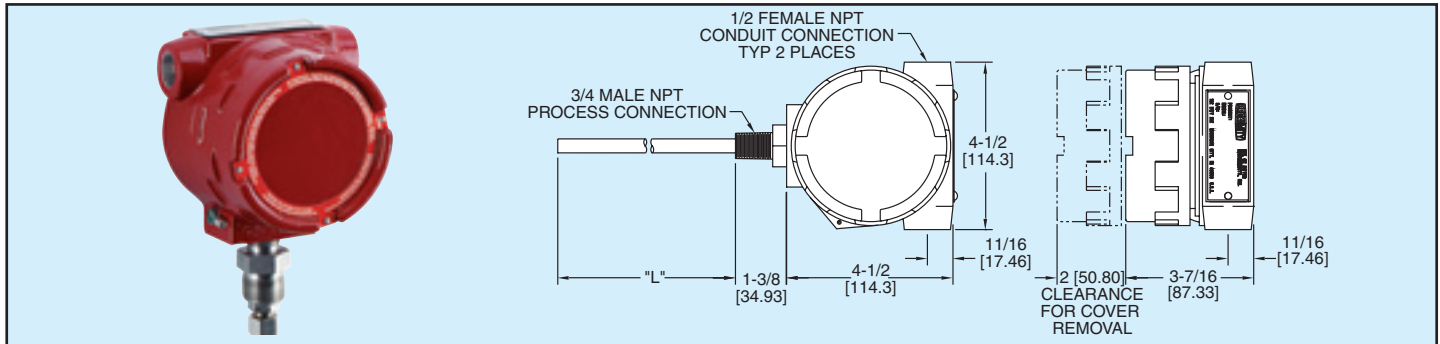


# Continuous Level Transmitter

Loop-Powered, 4-20 mA Output, RF Admittance Technology



**Continuously monitor the level** of liquids and slurries, without worry of false signals as a result of material build-up. Loop powered Series CRF delivers a 4-20 mA isolated output signal proportional to the height of material in a tank or holding vessel. Continuous level transmitter can be field calibrated to fit your specific application. Integral electronics and two-wire design simplify installation. Probes should be mounted vertically and are easily trimmed to shorter lengths where required. When mounting in nonmetallic or horizontal tanks, a separate grounding rod must be used. Consult factory regarding mounting flange, grounding rod assemblies, optional pressure rating, longer lengths and sanitary connection.

### APPLICATIONS

Alcohols, wastewater, oils, polymers, acids, caustics, pulp, slurries, wood chips, water-based products in tanks, bins, or other vessels.

### STOCKED MODELS

Model Number	Probe	Length
CRF-TR0-34T-072	Teflon® coated 316 SS	6 ft (1.83 m)
CRF-TR0-34T-096	Teflon® coated 316 SS	8 ft (2.44 m)

### SPECIFICATIONS

**Service:** Compatible liquids.

**Wetted Materials:**

Connection: 316 SS.  
Probe: Teflon®.

**Accuracy:** ± 0.1% of full range repeatability, ± 0.3% of full range linearity.

**Temperature Limits:** Probe: -40 to 250°F (-40 to 121°C), Electronics: -40 to 180°F (-23 to 82°C).

**Pressure Limit:** 100 psig (6.89 bar).

**Power Requirements:** 18 to 30 VDC.

**Output Signal:** 4 to 20 mA, 2 wire.

**Zero and Span Adjustments:** Zero: 0 to 500 pF, Span: 25 to 2200 pF.

**Loop Resistance:** 600 Ohms at 24 VDC.

**Current Consumption:** 0.6 VA.

**Electrical Connections:** Screw terminal.

**Conduit Connection:** 1/2" female NPT.

**Process Connection:** 3/4" male NPT standard. Optional 2, 3, or 4" 150# flange in 316 SS or PVC, 1-1/2" or 2" sanitary clamp connection.

**Enclosure Rating:** Weatherproof.

**Mounting Orientation:** Vertically mounted.

**Weight:** 6 ft probe model is 7.25 lb (2.39 kg).

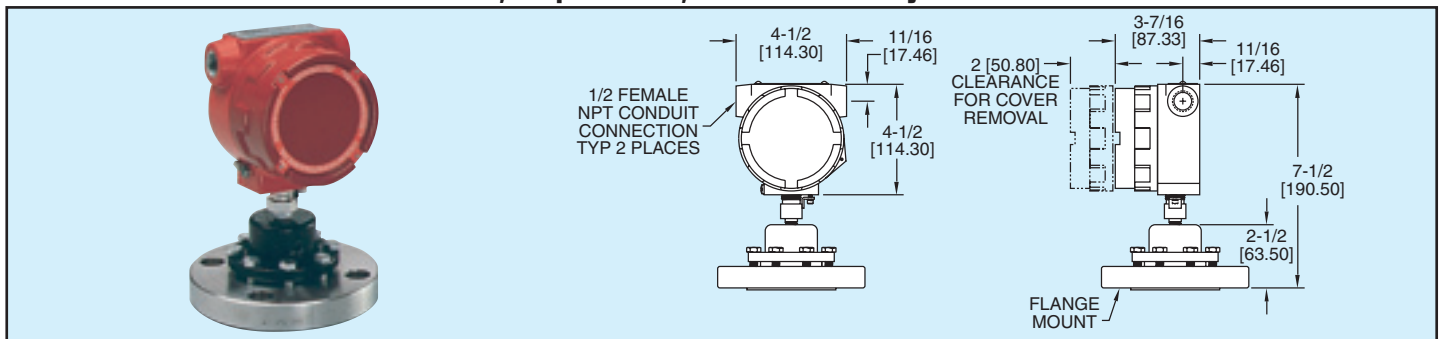
**Probe Length:** Rigid Rod: 12" (304.8 mm) to 144" (3.66 m).

Flexible cable with weight: 24" (609.6 mm) to 240" (6.096m).

**Options:** Flange mount assemblies with reference rod, flexible cable probe, optional connections listed under process connection.

# Piezoresistive Level Transmitter

2-wire, Loop-Powered, ±0.25% Accuracy



**Series PLT Piezoresistive Level Transmitters** provide reliable measurement and control of process levels by sensing the hydrostatic pressure in a tank. The loop-powered level transmitter delivers a 4 to 20 mA output signal proportional to hydrostatic pressure and specific gravity of the fluid for indicating, recording or control purposes. Easily accessible zero and span potentiometers make calibration in the field quick and simple. Units are equipped with EMI and reverse polarity protection.

### APPLICATIONS

Monitor and control levels of water, chemicals, lubricants, or paints in vented tanks. Ideal for fluids with suspended solids such as wastewater and slurries.

### POPULAR MODELS

MODEL NUMBER	RANGE*		MOUNTING	
PLT1040	1 psig (0.07 bar)	2 ft (.61 m)	1" female NPT	
PLT1050	1 psig (0.07 bar)	2 ft (.61 m)	2" Flange	
PLT2040	5 psig (0.34 bar)	10 ft (3.05 m)	1" female NPT	
PLT2050	5 psig (0.34 bar)	10 ft (3.05 m)	2" Flange	

### SPECIFICATIONS

**Service:** Compatible liquids.

**Wetted Materials:** 316 SS and Teflon®.

**Accuracy:** ± 0.25% of span.

Repeatability and hysteresis: ± 0.10% of full range.

**Temperature Limits:** 0 to 200°F (-18 to 93°C).

**Compensated Temperature Range:** 0 to 180°F (-18 to 82°C).

**Pressure Limit:** 3 times the full range.

**Power Requirements:** 18 to 30 VDC.

**Output Signal:** 4 to 20 mA, 2 wire.

**Zero and Span Adjustments:** Zero adjustment for elevation compensation: 25%.

**Loop Resistance:** 1000 Ohms at 24 VDC.

**Electrical Connections:** Screw terminal.

**Conduit Connection:** 1/2" female NPT.

**Process Connection:** 2 or 3" 150# flange, 3" 300# flange. 1/4", 1/2", or 3/4" female NPT.

**Enclosure Rating:** Weatherproof.

**Mounting Orientation:** Any position.

**Weight:** NPT Connection: 7.95 lb (3.61 kg), 2" flange connection: 11.85 lb (5.38 kg).

**Fill Solution:** Silicone oil.

**Vibration Limits:** ± 1 g, 10 to 200 Hz.

**Options:** See process connection for other connection options. 10 psi (.69 bar) up to 500 psi (34.47 bar) ranges.