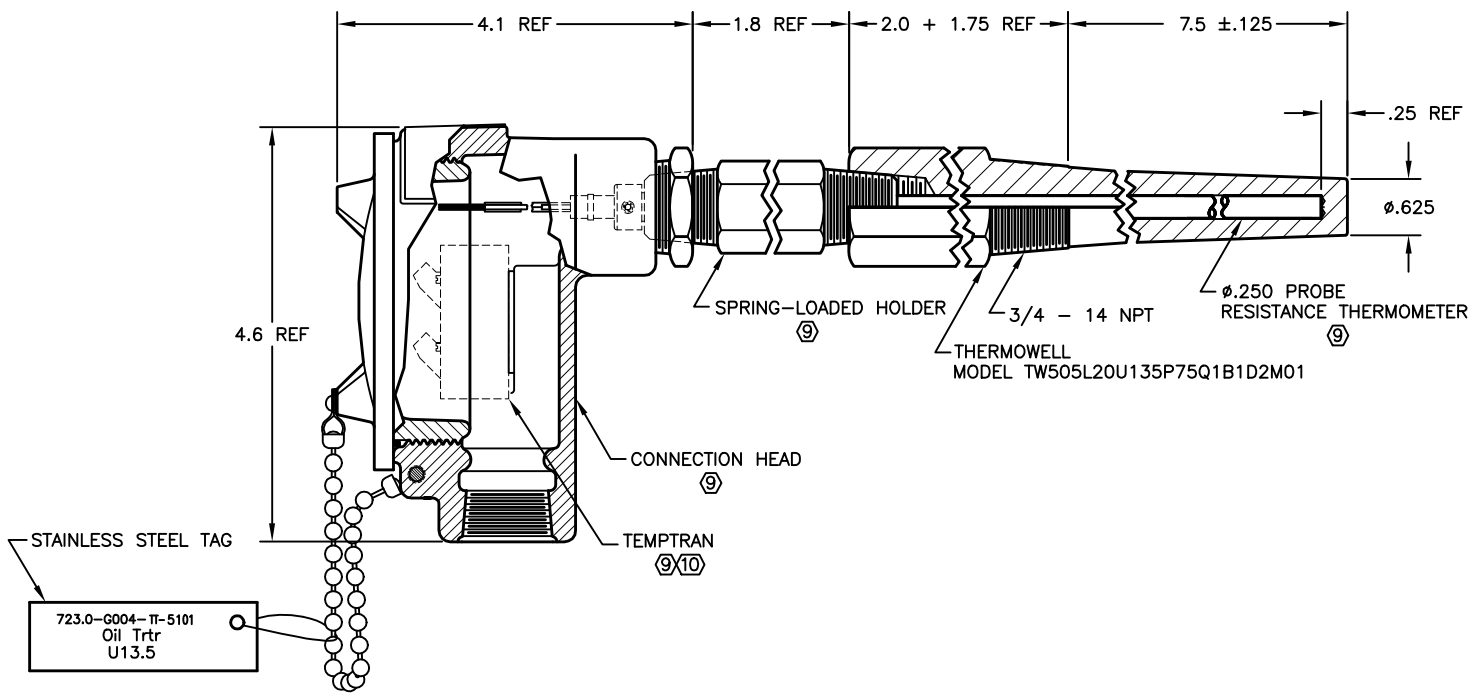
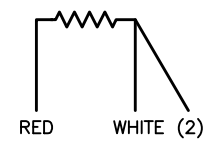


REVISIONS					
REV	DESCRIPTION	DATE	ECO	DR	APPD



1. ELEMENT: PLATINUM.
2. RESISTANCE: 100.00 OHMS ±.12% (100.12/99.88) AT 0°C (32°F), EXCLUDING LEADWIRE RESISTANCE; R/T TABLES #5-100 (°C) AND #6-100 (°F).
3. RESISTANCE-TEMPERATURE COEFFICIENT: .00385 OHM/OHM/°C NOMINAL FROM 0°C TO 100°C.
4. TEMPERATURE RANGE: -50°C TO 260°C (-58°F TO 500°F).
5. INSULATION RESISTANCE 1000 MEGOHMS MINIMUM AT 500 VOLTS DC, LEADS TO PROBE CASE.
6. LEADS: AWG #22, STRANDED, TFE INSULATED.
7. MATERIAL:
 - CASE: STAINLESS STEEL;
 - THERMOWELL, NIPPLE, UNION, AND SPRING-LOADED HOLDER: STAINLESS STEEL;
 - CONNECTION HEAD: ALUMINUM, GREY EPOXY COATED.
8. THE RESISTANCE THERMOMETER WILL MEET THE RESISTANCE-TEMPERATURE RELATIONSHIP AND TOLERANCES SPECIFIED IN IEC 751, CLASS B.
9. AS5322 CONSISTS OF CONNECTION HEAD, TEMPTRAN, SPRING-LOADED HOLDER, AND RESISTANCE THERMOMETER.
0. TEMPTRAN RANGE: AN = 0 TO 300° F (-17.8 TO 148.9° C).

SCHEMATIC DIAGRAM



UNLESS OTHERWISE SPECIFIED DIMENSIONS AND TOLERANCES IN INCHES DIMENSIONS IN [] ARE IN MILLIMETERS		INITIALS	DATE	ITEM	REQD	PART/STOCK NO	MATERIAL DESCRIPTION
ONE PLACE (.0)	±.020 [±0.51]	DR	01-10-02	TITLE:		AS5322TT176AN170PD4/ TW505L20U135P75Q1B1D2M01 ASSEMBLY	WESCO PRODUCTS, INC. 10603 Grant Road, Ste. 102 Houston, TX 77070 COMPANY CONFIDENTIAL PROPRIETARY INFORMATION OF WESCO PRODUCTS, INC. DO NOT DUPLICATE
TWO PLACE (.00)	±.010 [±0.25]	CHK		REF: INT. J.O. 16-289838			CAGE IDENT. 09359
THREE PLACE (.000)	±.005 [±0.13]	APP		REF: G:\DOCS\EXCEL\QUOTE\PROCESS CONTROL\112928\PI-9051.DWG			THIRD ANGLE PROJECTION
ANGLES:		ENGR		CGP Transferred 1/28/02	WAB		REV -
MATERIAL:		QA		SCALE: NONE	STOCK NO	DWG SIZE B	SHEET 1 OF 1
FINISH:		PRD					
		NEXT ASSY	INIT. JOB 5-				
		USED ON					